

THESE INSTRUCTIONS SHOULD NOT BE FAXED OR REPRODUCED ON A DIGITAL COPIER. AMERICAN WOODMARK CORPORATION PROVIDES THESE INSTRUCTIONS ON AN "AS IS" BASIS AND DISCLAIMS ANY AND ALL LIABILITY FOR ANY INACCURACIES, OMISSIONS OR TYPOGRAPHICAL ERRORS CAUSED BY ANY THIRD PARTY'S EQUIPMENT. When you use these instructions, you are consenting to be bound by the provisions in this paragraph. These instructions provide an illustrative method for installing American Woodmark Corporation ("AWC") cabinets and/or accessories. AWC's instructions are not intended to address every possible contingency that might be encountered during installation or to endorse the use of any particular tools. AWC HEREBY EXPRESSLY DISCLAIMS ALL LIABILITY FOR ANY CLAIMS FOR INJURY OR DEATH RELATED TO OR BASED UPON THE USE OF THESE INSTALLATION INSTRUCTIONS AND ANY INSTALLATION INSTRUCTIONS OTHERWISE PROVIDED BY AWC.

ESTAS INSTRUCCIONES NO SE DEBEN ENVIAR POR FAX NI SE DEBEN REPRODUCIR EN UNA COPIADORA DIGITAL. AMERICAN WOODMARK CORPORATION PROPORCIONA ESTAS INSTRUCCIONES "TAL COMO ESTAN" Y RENUNCIA A CUALQUIER Y A TODA RESPONSABILIDAD POR CUALQUIER FALTA DE PRECISION, OMISION O ERROR TIPOGRAFICO CAUSADO POR EL EQUIPO DE TERCERAS PERSONAS. Al utilizar estas instrucciones, usted está aceptando estar sujeto a las disposiciones contenidas en este párrafo. Estas instrucciones proporcionan un método ilustrativo para instalar los gabinetes y/ o accesorios de American Woodmark Corporation ("AWC"). Las instrucciones de AWC no tienen por objeto resolver toda contingencia posible que pudiera presentarse durante la instalación ni recomendar el uso de una herramienta en particular. POR LA PRESENTE, AWC RENUNCIA EXPRESAMENTE A TODA RESPONSABILIDAD POR CUALQUIER RECLAMACION POR LESIONES O FALLECIMIENTO DERIVADOS DEL USO DE ESTAS INSTRUCCIONES DE INSTALACION Y DE OTRAS INSTRUCCIONES DE INSTALACION QUE AWC HAYA PROPORCIONADO DE ALGUNA OTRA FORMA.

IMPORTANT

INSTALLATION INSTRUCTIONS FOR OMEGA INDUSTRIES, INC.'s METAL LINER AND DECORATIVE WOOD HOOD

Before installation may begin, the following components are required:

- Fan unit, part number 90026WHI1
- Blower unit, part number 90039WHI1
- Ducting System ▪ Metal Liner ▪ Decorative Wood Hood

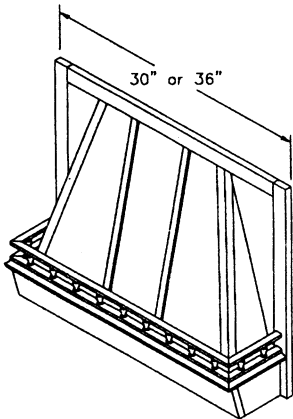


Figure 1

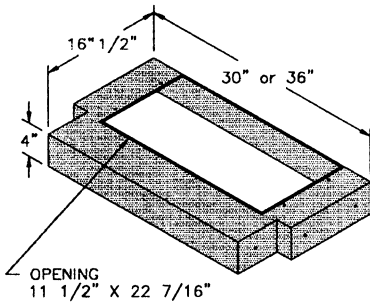


Figure 2

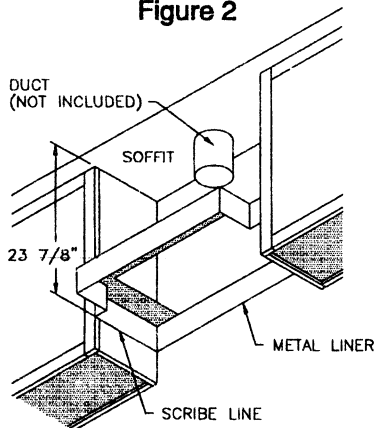


Figure 3

A. The Wood Hood is composed of three separate components:

1. The decorative Hood Front
2. Optional galley rail (shipped unattached).
3. T-shaped Metal Liner, Figure 2

NOTE: T-shaped liner shipped with unit as standard. Rectangular shaped metal liner available for on-site Wood Hood construction, Figure 4.

4. The ventilation system (power module and ducting system) is not included and must be purchased separately.

B. Installation: Metal Liner – T-Shaped, Figure 3

1. Measure down 23 7/8" from top of adjacent cabinets. Scribe a level line horizontally across depth of both cabinets.
2. Raise Metal Liner so that bottom edge of liner is level with scribed lines. Use four (4) #8 x 1/2" screws provided to attach liner to adjacent cabinets through pre-drilled holes in liner. (If metal liner is not flush to cabinet sidewalls, it may be necessary to use a filler piece to avoid bowing the liner.) Locate studs and place two #8 x 1 1/4", supplied, through rear of liner.

C. Installation of Omega Industries, Inc.'s decorative Wood Hood:

1. Slide decorative hood front into position over T-Shaped liner and between adjacent cabinets. Install the hood front by adjoining to adjacent cabinets through the front frames using (4) #8 x 2 1/2" screws (not provided).

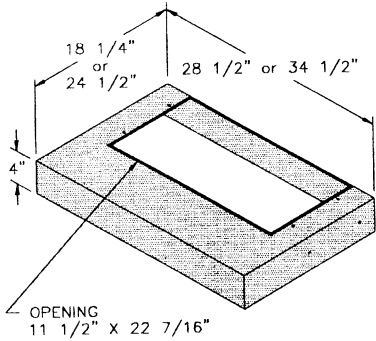


Figure 4

D. Installation – Galley Rail

1. An unattached optional Galley Rail assembly may be enclosed with the decorative hood front. The Galley Rail should be attached as shown in Figure 1. NOTE: All screw holes should be pre-drilled. Exercise caution if nailing to avoid damage.

E. Installation of Rectangular Metal Liner (Figure 4) (used for on-site construction of decorative Wood Hood)

1. Measure down 23 7/8" from top of adjacent cabinets. Scribe a level line horizontally across depth of both cabinets.
2. Place bottom edge of 3/4" x 4" x 11 1/4" long wood filler block along scribe line. Make sure filler block is tight against back wall, Figure 5.
3. Use four (4) #8 x 1" screws, supplied, and fasten the two wood filler blocks to adjacent cabinets.
4. Raise liner so bottom is level with scribed lines. Fasten liner to filler block by driving four (4) #8 x 1/2" screws, supplied, through pre-drilled holes (2 per side) in liner, Figure 6.
5. Locate studs and place #8 x 1 1/4" screws, supplied, through rear of liner into stud.

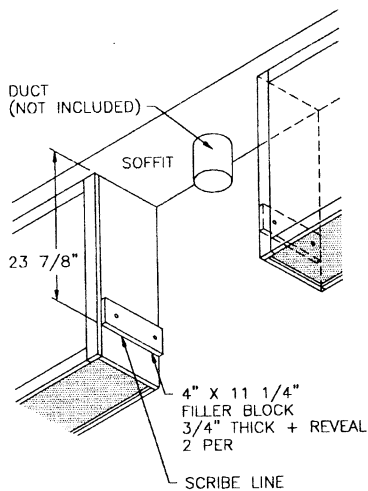


Figure 5

F. Installation of Power Units

90026WHI1 Fan Unit – see installation instructions enclosed with each Power Unit.

90039WHI1 Blower Unit - see installation instructions enclosed with each Power Unit.

Source for all parts listed:

Your local distributor or: Omega Industries, Inc., 1010 Rowe Street, Elkhart, IN 46516 • 574-295-5353 or 574-295-5329 (fax)

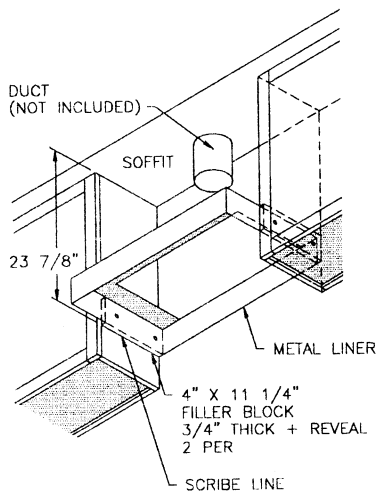


Figure 6