



DEPEND  
ON THE  
TEAM THAT  
DELIVERS  
FOR PROS



WE OFFER **FREE** 10-DAY  
EXPRESS SHIPPING &  
JOBSITE DELIVERY  
NATIONWIDE

# SPECIFICATION GUIDE

FEBRUARY 2025

simply  
woodmark **PRO**



## INTRODUCING A NEW PROGRAM FOR PROS



### GET IT FAST.

**Express ships nationwide in 10 days**

Short, dependable lead time that keeps your project on track.

**FREE jobsite delivery**

Delivery with full truckload options right to your jobsite so you stay on schedule.

**Order support specialists**

Real humans standing by to process your orders.



### GET IT RIGHT.

**FREE all-plywood construction and premium painted finish**

With dovetail drawers and CushionClose hinges and glides.

**Every day low prices**

On-trend styles and features at a price that keeps your project on budget.

**Limited Lifetime Warranty**

Quality we stand behind with KCMA-certified and HUD-compliant cabinetry.



### GET IT DONE.

**Dedicated Pro Team**

Home Depot's original cabinetry partner now serving PROs like you.

**No-hassle replacements**

We'll ship replacements quickly to finish jobs and deliver satisfaction.

**Professional project management**

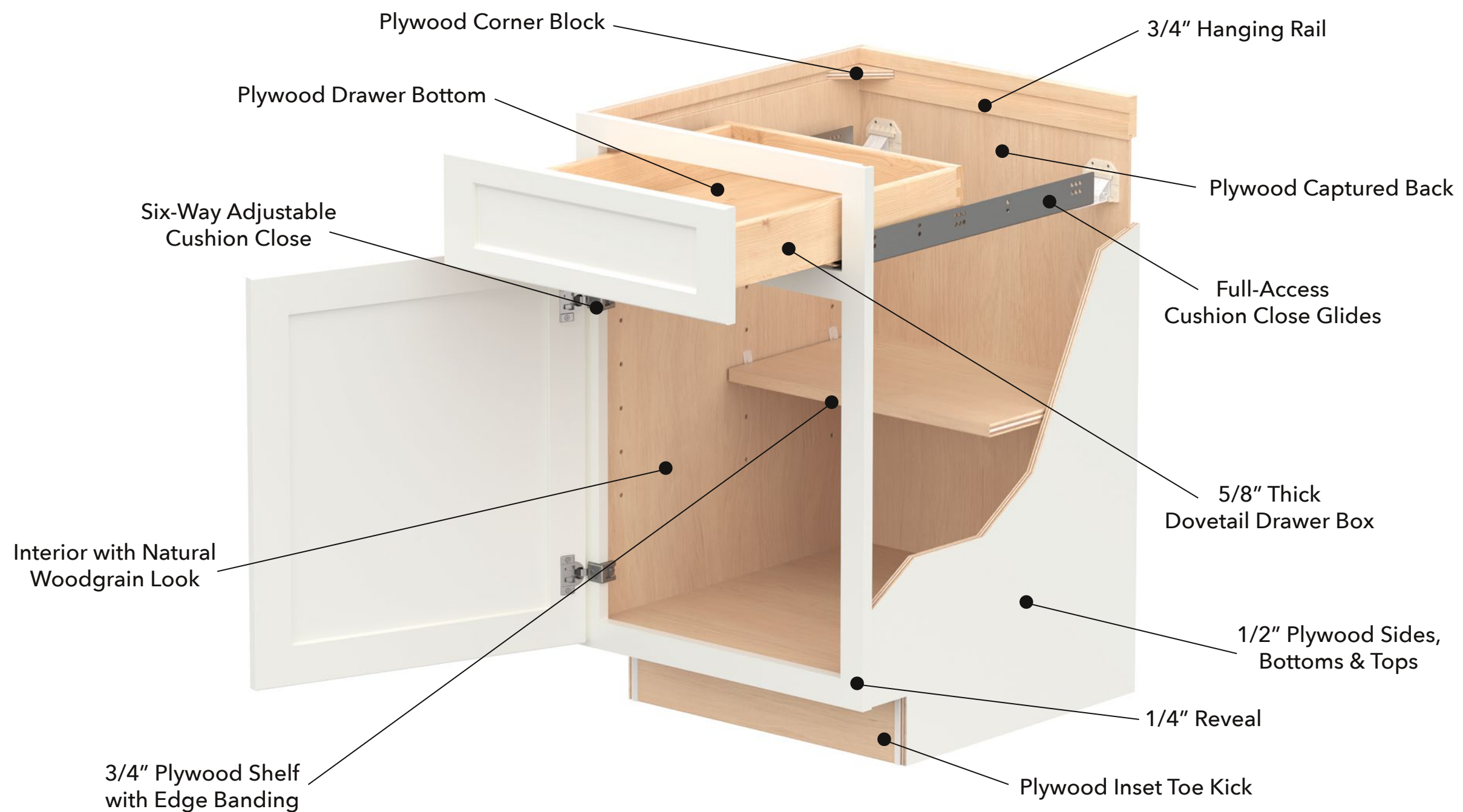
Full support throughout the process to protect your reputation.

We deliver **fully-loaded cabinets** quickly with **free express shipping nationwide** and a dedicated **PRO team** that's here to make your next project a success.

## FULLY-LOADED

### THE PREMIUM FEATURES PROS NEED.

Free all-plywood construction with 5/8" dovetail drawer boxes, CushionClose full-access glides, and CushionClose six-way adjustable hinges all come standard.



## QUALITY YOU CAN TRUST

We are proud that all of our cabinetry is HUD-compliant and meets all the standards set by the Kitchen Cabinet Manufacturers Association (KCMA) and is certified by the KCMA Environmental Stewardship Program.



## FLEXIBLE

### CABINETS THAT FIT BUDGET AND STYLE.

A simplified collection of SKUs makes it easy to configure stylish, functional living spaces that include the organizational products homeowners need most. And when you want all the bells and whistles, look to **American Woodmark PRO**. With a longstanding Home Depot partnership and a product line that includes a full range of accessories, you have everything at your fingertips.



Please note that when blending SKUs from the **American Woodmark PRO** line, the PRO XPRESS Manufacturing option must be added to the order for quick ship. Standard lead times may vary.

# FASHIONABLE

## NEVER SACRIFICE ON STYLE.

Enjoy a selection of the most popular full and partial overlay door profiles with premium paint finishes in on-trend colors that will enhance any living space.



**Shaker Partial Overlay**  
in Painted Linen

*Recessed Shaker Panel  
Slab Drawer Front*



**Shaker Full Overlay**  
in Painted Stone

*Recessed Shaker Panel  
5-Piece Recessed Panel Drawer Front*



**Shaker Full Overlay**  
in Painted Linen

*Recessed Shaker Panel  
5-Piece Recessed Panel Drawer Front*

# CABINETS FOR ANYWHERE AT ANY SCALE

We simplified a selection of fully-loaded cabinets in our most popular styles at everyday low prices so you can order from one partner for any size job, whether it's a single kitchen, a whole home or a multi-housing project.



## MAKE A BATH THAT'S A PERFECT MATCH.

With SKU options to create vanities big or small, you can add functionality to every bath or powder room.

Shown in Shaker Full Overlay Painted Stone



## BUILD A NEXT-LEVEL LAUNDRY ROOM.

Add timeless style and plenty of storage to create a utilitarian space.

Shown in Shaker Full Overlay Painted Linen



## CREATE A WET BAR WITH STYLE TO SPARE.

Whether it's the living room or the basement, any space will benefit from a multi-use wet bar.

Shown in Shaker Partial Overlay Painted Linen



## ADD A UTILITARIAN MUDROOM.

Build an entryway or drop zone that has room for everything – from extra shoe storage to the dog's leash.

Shown in Shaker Full Overlay Painted Stone

WARRANTY

# TIMELESS DESIGNS THAT LAST A LIFETIME

We take pride in our products, providing a lifetime limited warranty that guarantees all cabinets and accessories are free from defects in materials and workmanship.



simply  
woodmark **PRO**<sup>™</sup>

# SPECIFICATION GUIDE | 2025



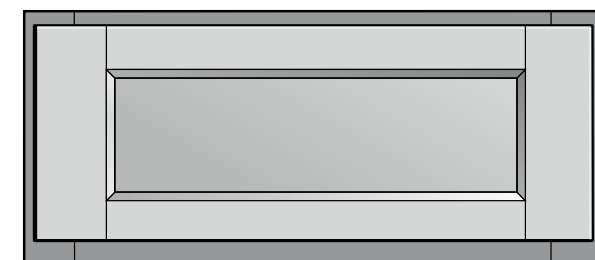




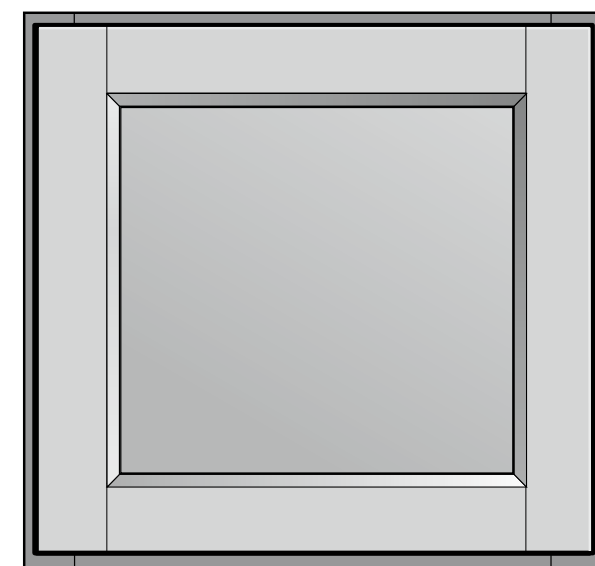
## Shaker Full Overlay (FOL)



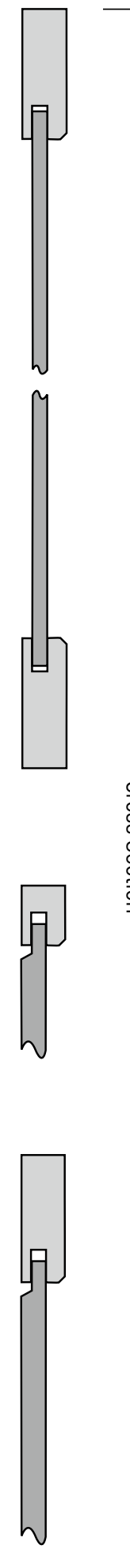
Door



Standard Drawer Front



Large Drawer Front



Cross Section

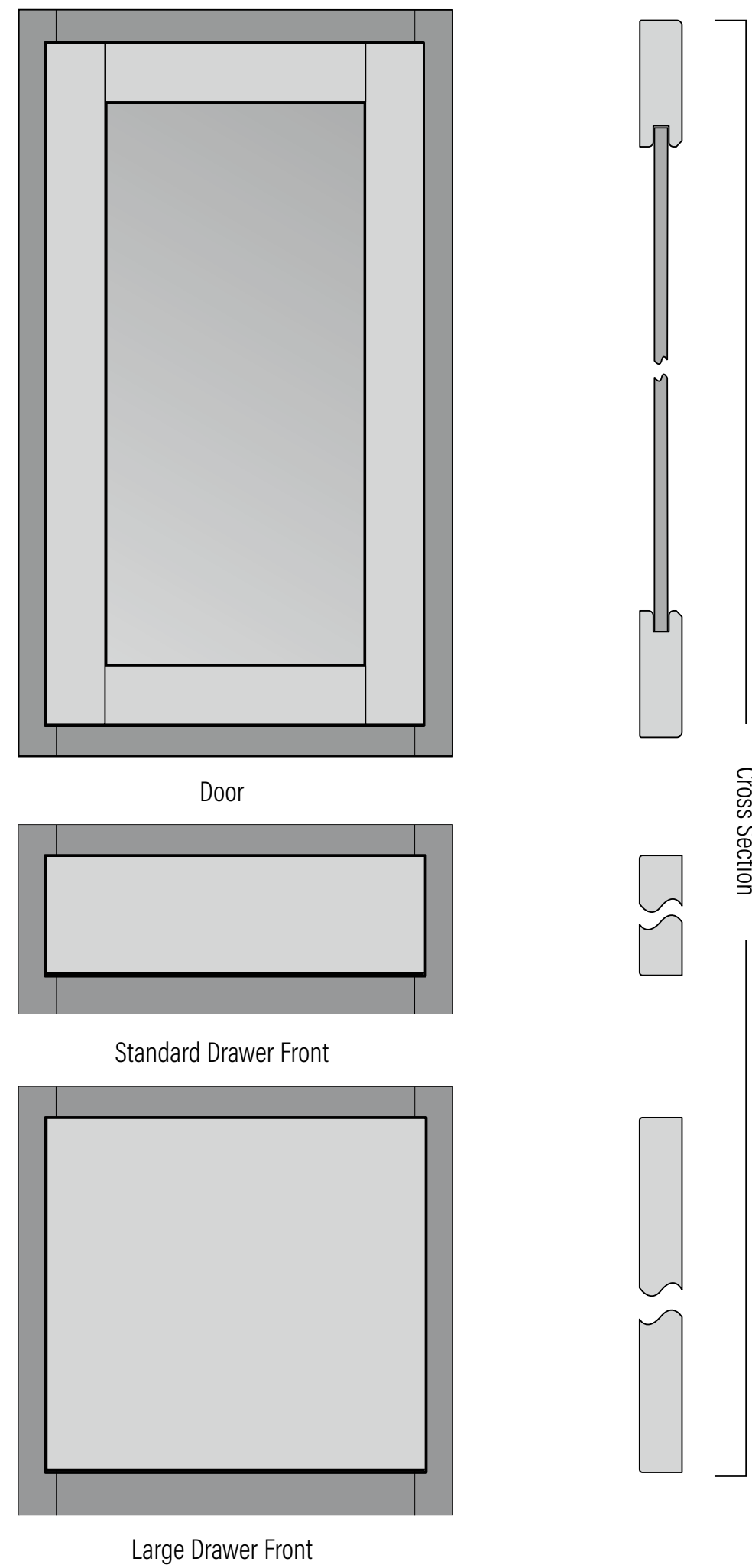
### Door Style Details

<b>Door Description:</b>	Recessed Panel
<b>Door Rail &amp; Stile Width:</b>	2 1/4"
<b>Drawer Description:</b>	5-Piece with Recessed Panel
<b>Overlay</b>	Full Overlay (FOL)
<b>Tall Door Details:</b>	Center Rail on 50" High Doors

### Door Style Availability

Painted Linen	90MPS
Painted Stone	90MYS

## Shaker Partial Overlay (POL)



### Door Style Details

<b>Door Description:</b>	Recessed Panel
<b>Door Rail &amp; Stile Width:</b>	2 ¼"
<b>Drawer Description:</b>	Slab
<b>Overlay</b>	Partial Overlay (POL)
<b>Tall Door Details:</b>	No Center Rail on 50" High Doors

### Door Style Availability

Painted Linen	92MPS
---------------	-------

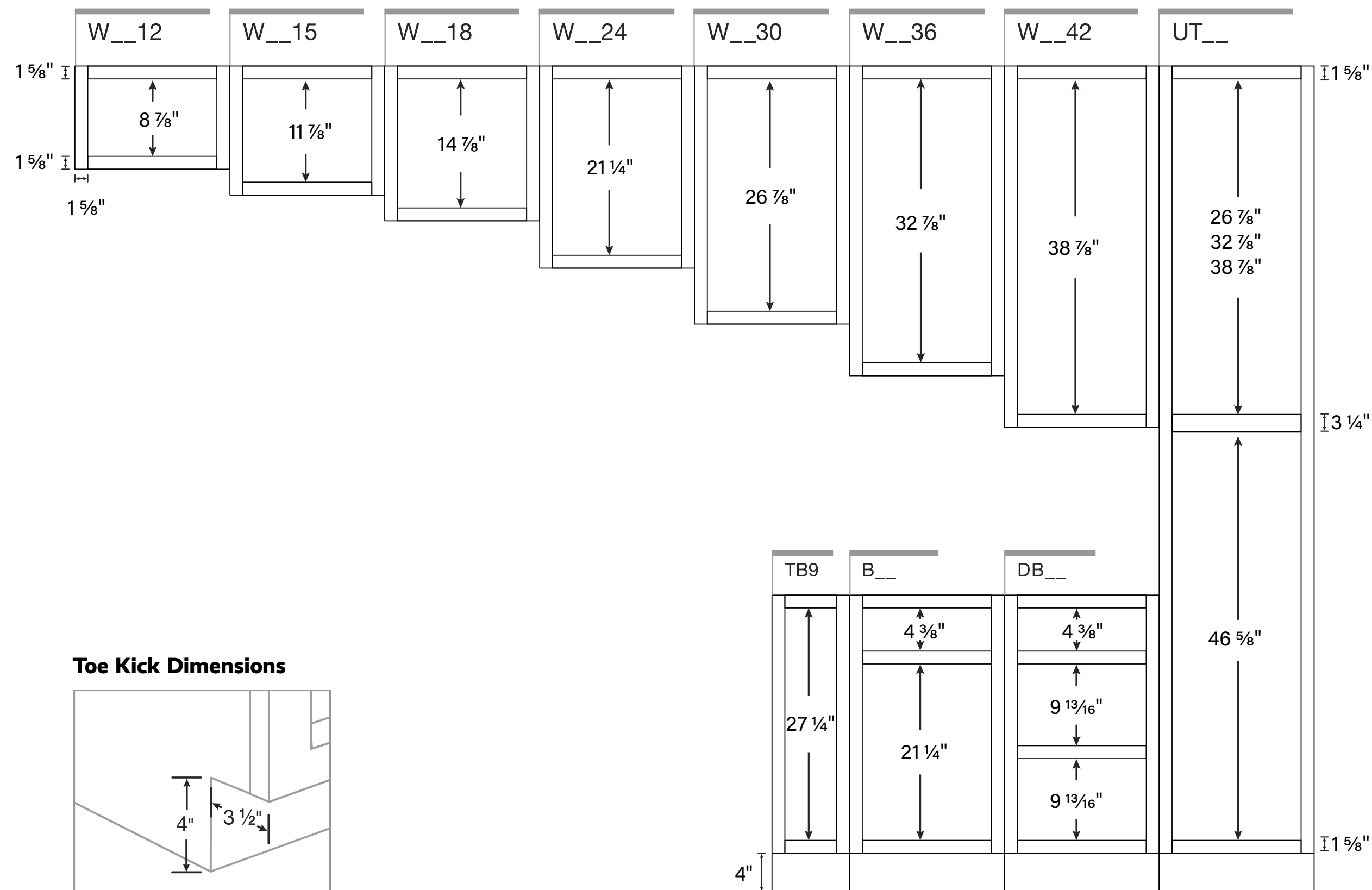


--	--	--	--



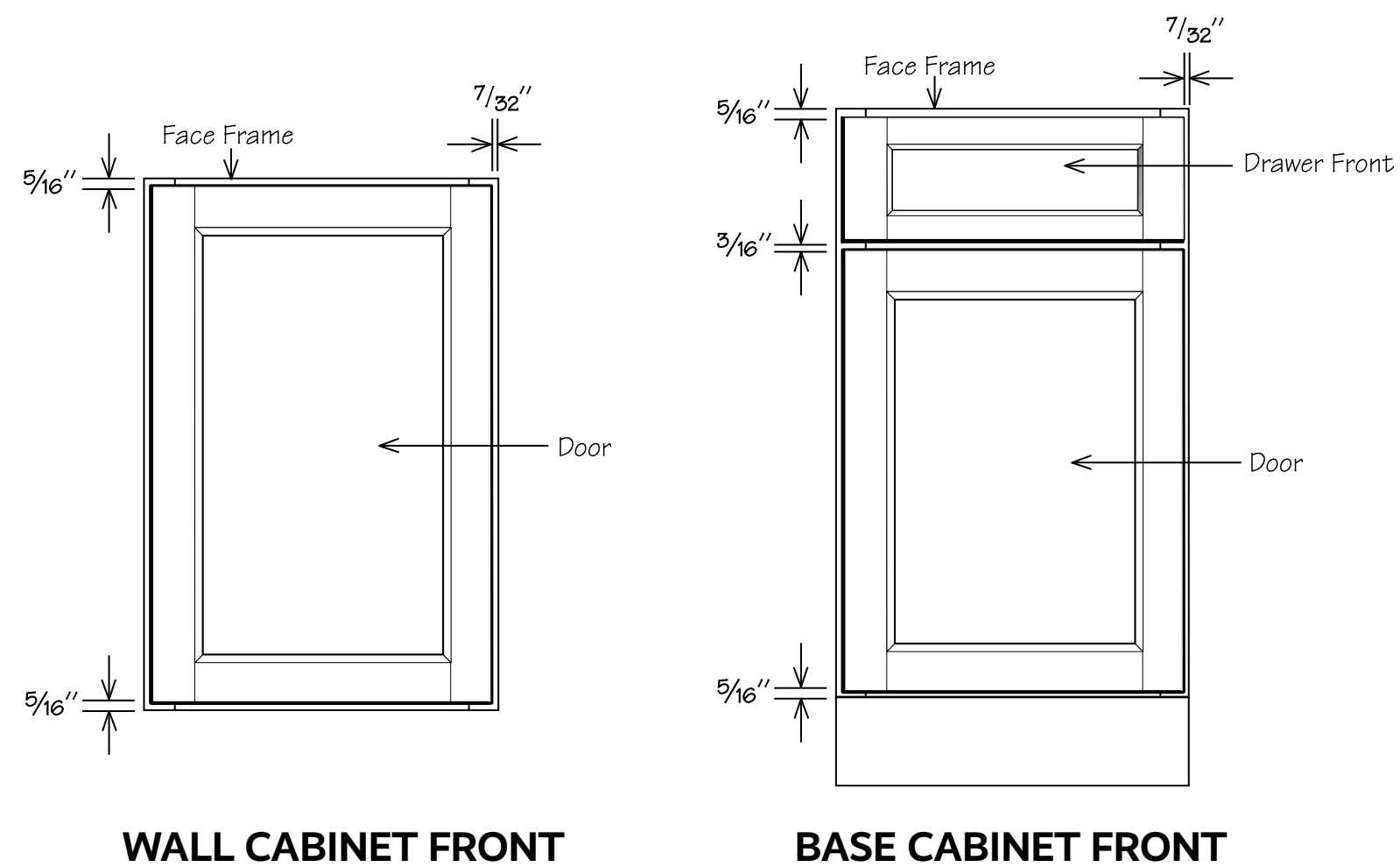
## CABINET OPENING DIMENSIONS

Illustrations specify dimensions of vertical stiles and horizontal rails, inset toe kick, and standard interior opening heights. When selecting cabinetry for installation above or near any appliance, refer to the appliance manufacturer's specifications for clearance and venting requirements.



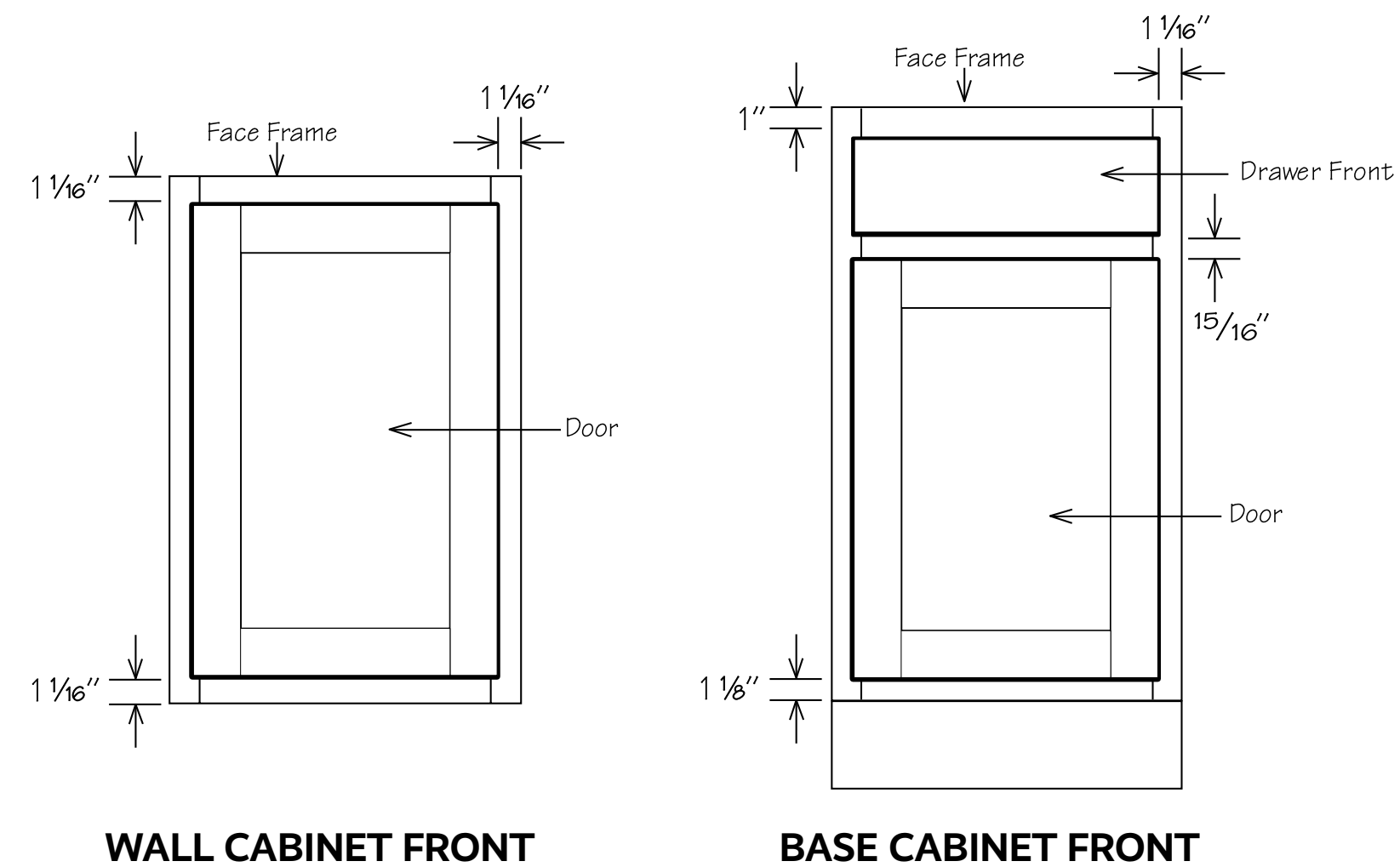
## FULL OVERLAY DIMENSIONS

Full Overlay (FOL) doors are sized to cover nearly all of the cabinet face frame. A Full Overlay door style requires decorative hardware. To facilitate proper door operation, include at least a 1" filler between the hinged side of a Full Overlay door and deeper adjacent objects including cabinets, walls, appliances, and countertops.



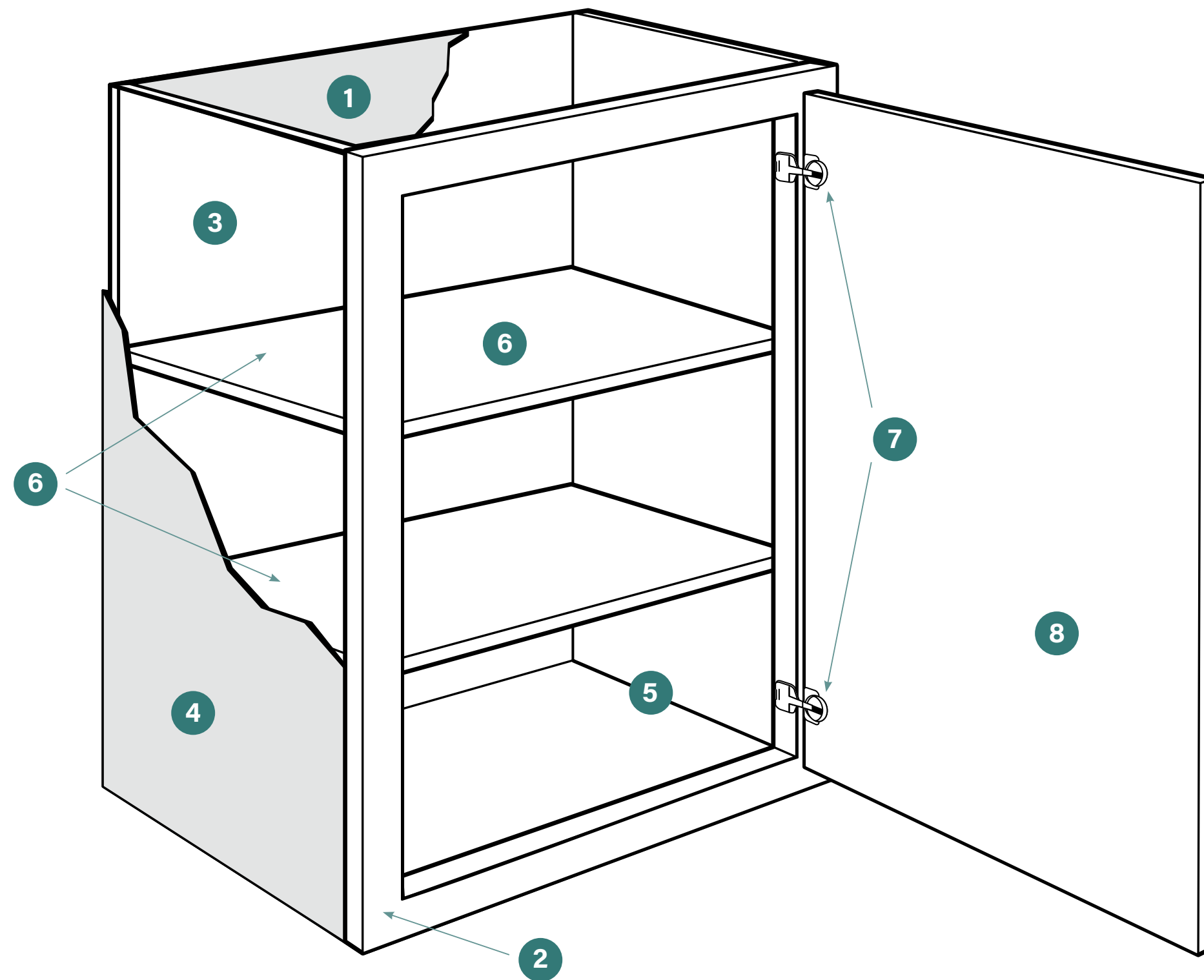
## PARTIAL OVERLAY DIMENSIONS

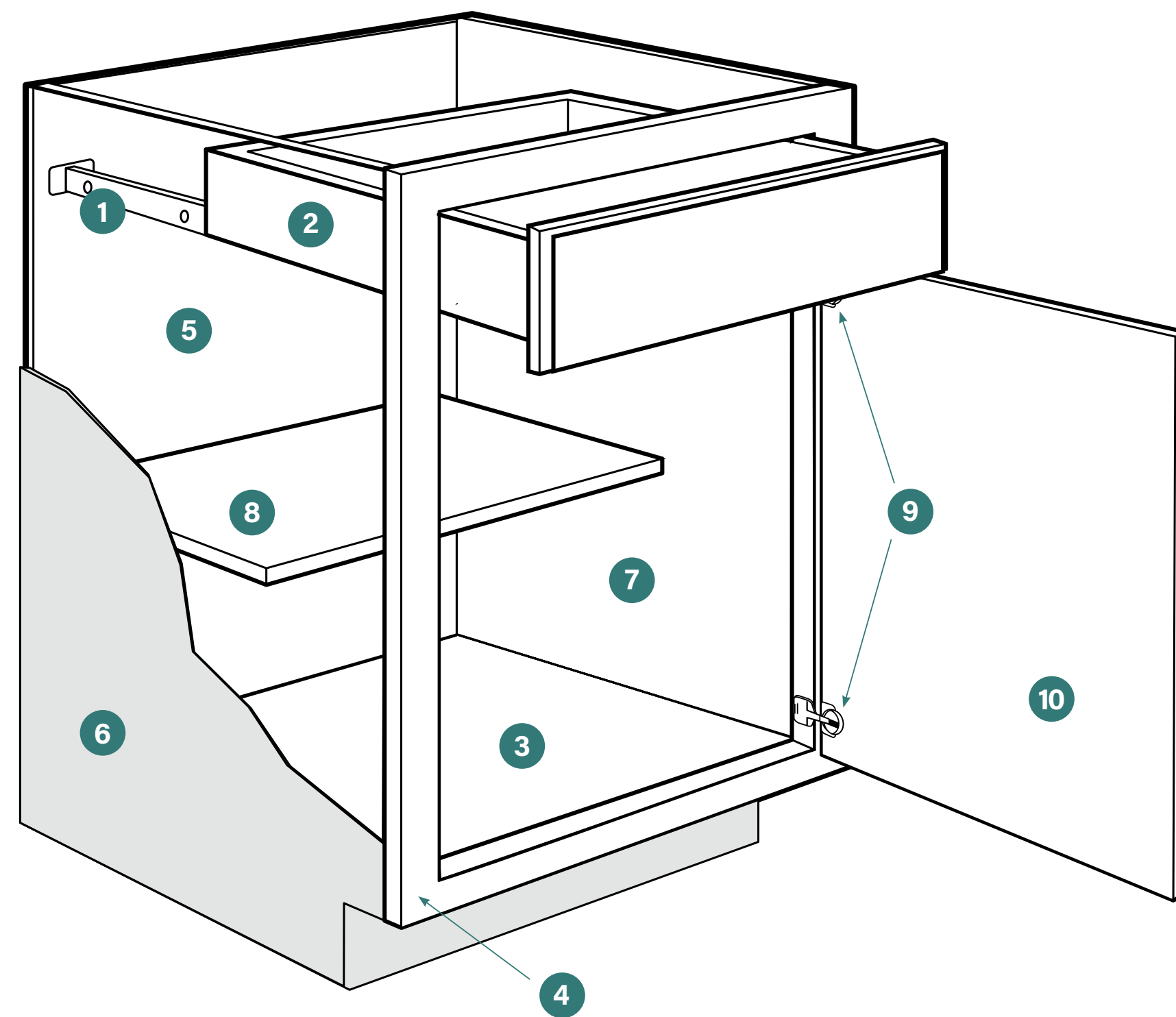
Partial Overlay (POL) doors are sized to show about an inch of the cabinet face frame, giving the door some visual depth. A Partial Overlay door style does not require decorative hardware.



### WALL CABINETS

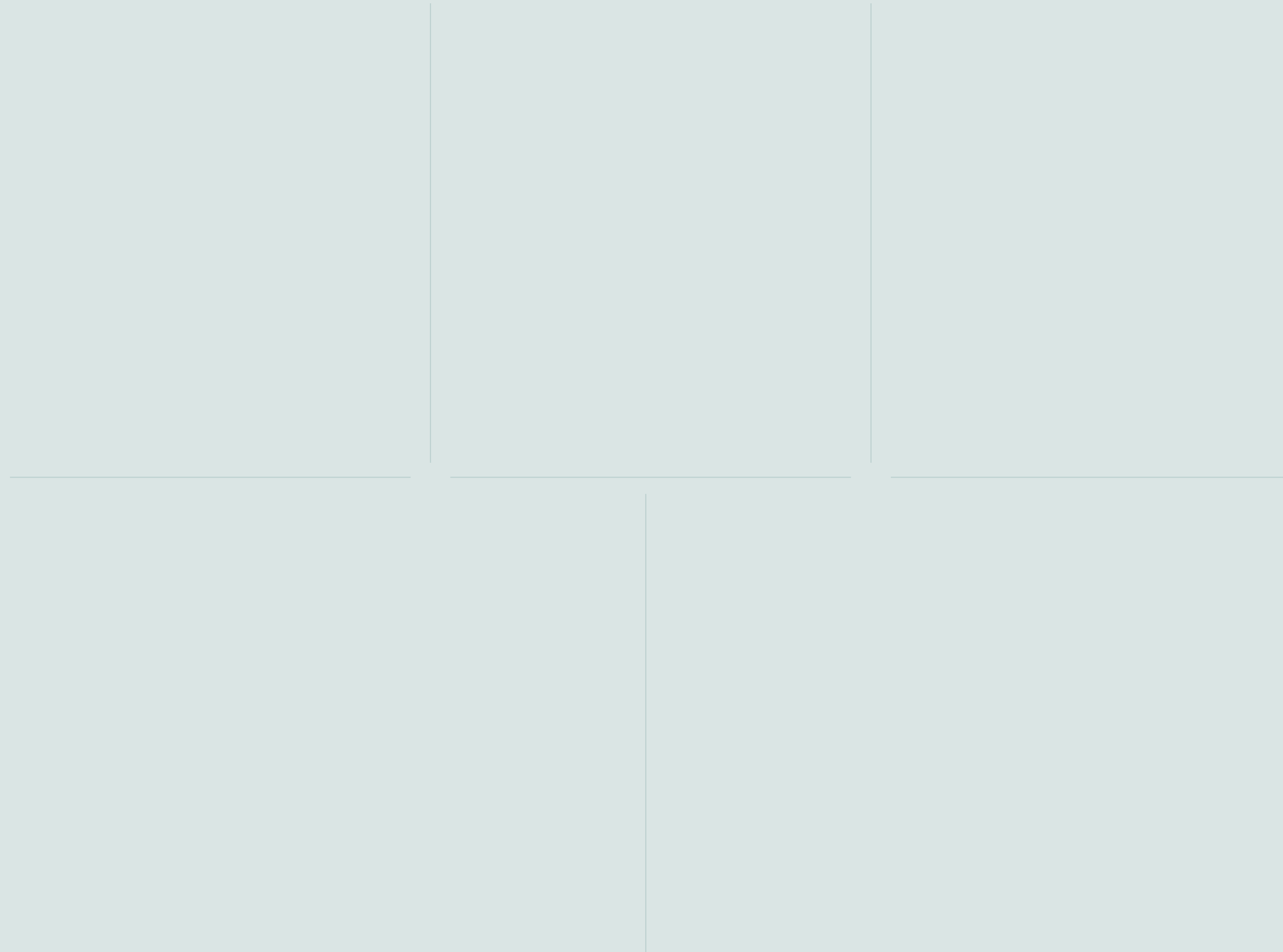
- 1 Top/Bottom Panels: ½" plywood
- 2 Face Frame: 1 ⅝" wide hardwood
- 3 Back Panel: ⅛" plywood
- 4 End Panels: ½" plywood exterior to match cabinet finish
- 5 Interiors: Finished with a natural woodgrain look
- 6 Adjustable Shelves: ¾" plywood
- 7 Hinges: 6-way adjustable CushionClose
- 8 Door: Reversible door on single-door cabinets for left or right or cabinets are butt doors with no center stile





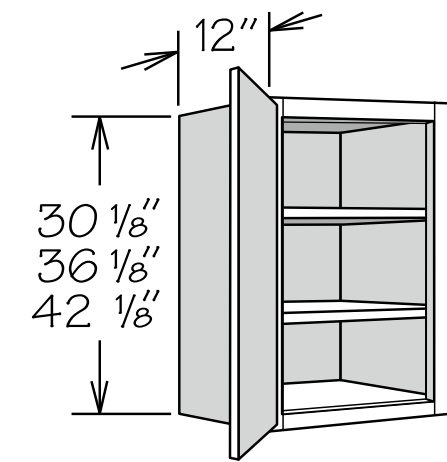
### BASE CABINETS

- 1 Drawer Glides: Full-access undermount CushionClose
- 2 Drawer Box:  $\frac{5}{8}$ " hardwood dovetail box with fully encapsulated bottom
- 3 Bottom Panels:  $\frac{1}{2}$ " plywood
- 4 Face Frame:  $1\frac{5}{8}$ " wide hardwood
- 5 Back Panel:  $\frac{1}{8}$ " plywood
- 6 End Panels:  $\frac{1}{2}$ " plywood exterior to match cabinet finish
- 7 Interiors: Finished with a natural woodgrain look
- 8 Half-Depth Adjustable Shelf:  $\frac{3}{4}$ " plywood
- 9 Hinges: 6-way adjustable CushionClose
- 10 Door: Reversible door on single-door cabinets for left or right opening; hinged on the left from the factory; double-door cabinets are butt doors with no center stile





## Wall Cabinet - 1 Door



• Hinged left, field reversible

### 30" High - 2 Shelves

W930  
W1230  
W1530  
W1830  
W2130

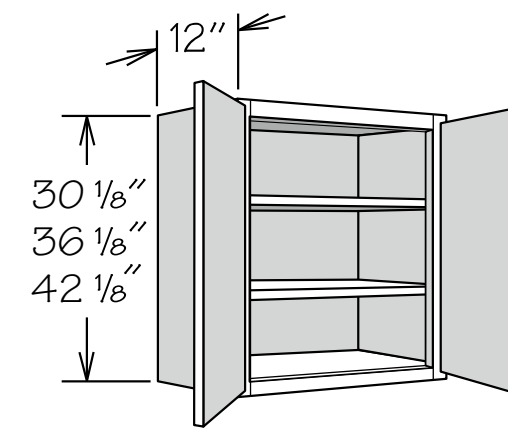
### 36" High - 2 Shelves

W936  
W1236  
W1536  
W1836  
W2136

### 42" High - 3 Shelves

W942  
W1242  
W1542  
W1842  
W2142

## Wall Cabinet - 2 Butt Doors



### 30" High - 2 Shelves

W2430 BUTT  
W2730 BUTT  
W3030 BUTT  
W3330 BUTT  
W3630 BUTT

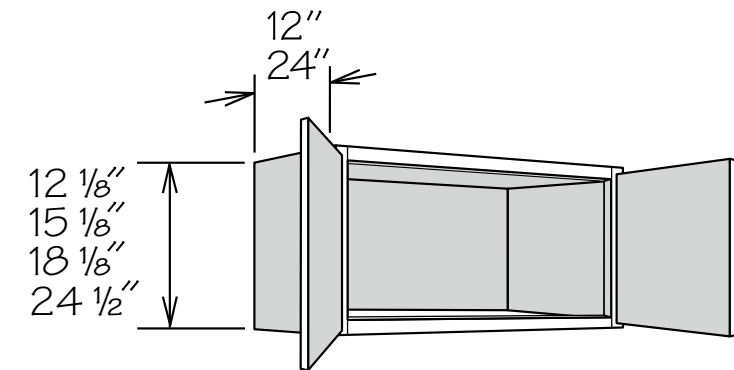
### 36" High - 2 Shelves

W2436 BUTT  
W2736 BUTT  
W3036 BUTT  
W3336 BUTT  
W3636 BUTT

### 42" High - 3 Shelves

W2442 BUTT  
W2742 BUTT  
W3042 BUTT  
W3342 BUTT  
W3642 BUTT

## Refrigerator Wall Cabinet - 2 Butt Doors



- 24" deep cabinets must be installed by:
  - » Securely attaching to studs in back wall and both sides or to studs in back wall, one side and top (e.g. two adjacent cabinets or one adjacent cabinet and a wall)

### 12" Deep

#### 12" High - No Shelf

W3012 BUTT  
W3612 BUTT

#### 15" High - No Shelf

W3015 BUTT  
W3615 BUTT

#### 18" High - 1 Shelf

W3018 BUTT  
W3618 BUTT

#### 24" High - 1 Shelf

W3024 BUTT  
W3624 BUTT

### 24" Deep

#### 12" High - No Shelf

W3612 X 24DP BUTT

#### 15" High - No Shelf

W3615 X 24DP BUTT

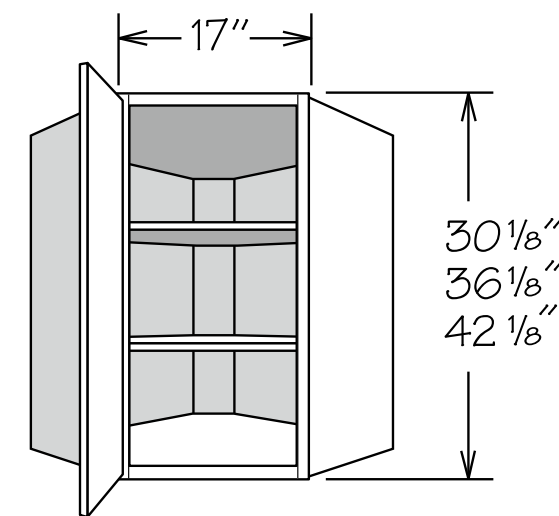
#### 18" High - 1 Shelf

W3618 X 24DP BUTT

#### 24" High - 1 Shelf

W3624 X 24DP BUTT

## Corner Wall Cabinet



- Installs in a 24" x 24" wall area
- Hinged left, field reversible

### 30" High - 2 Shelves

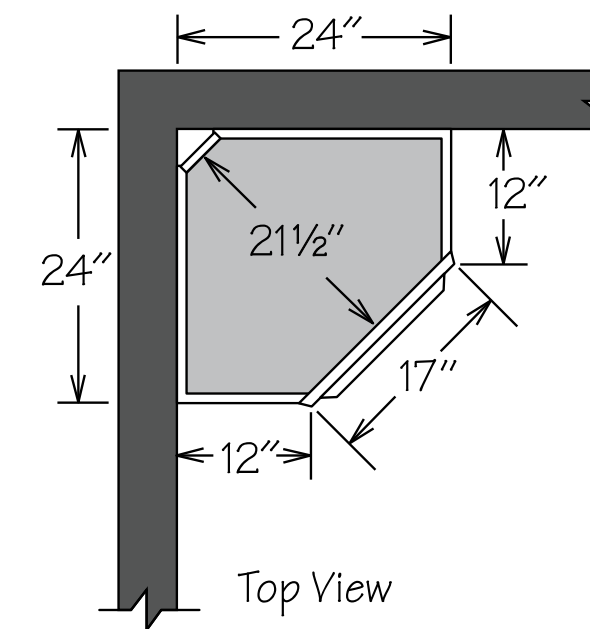
CW2430

### 36" High - 2 Shelves

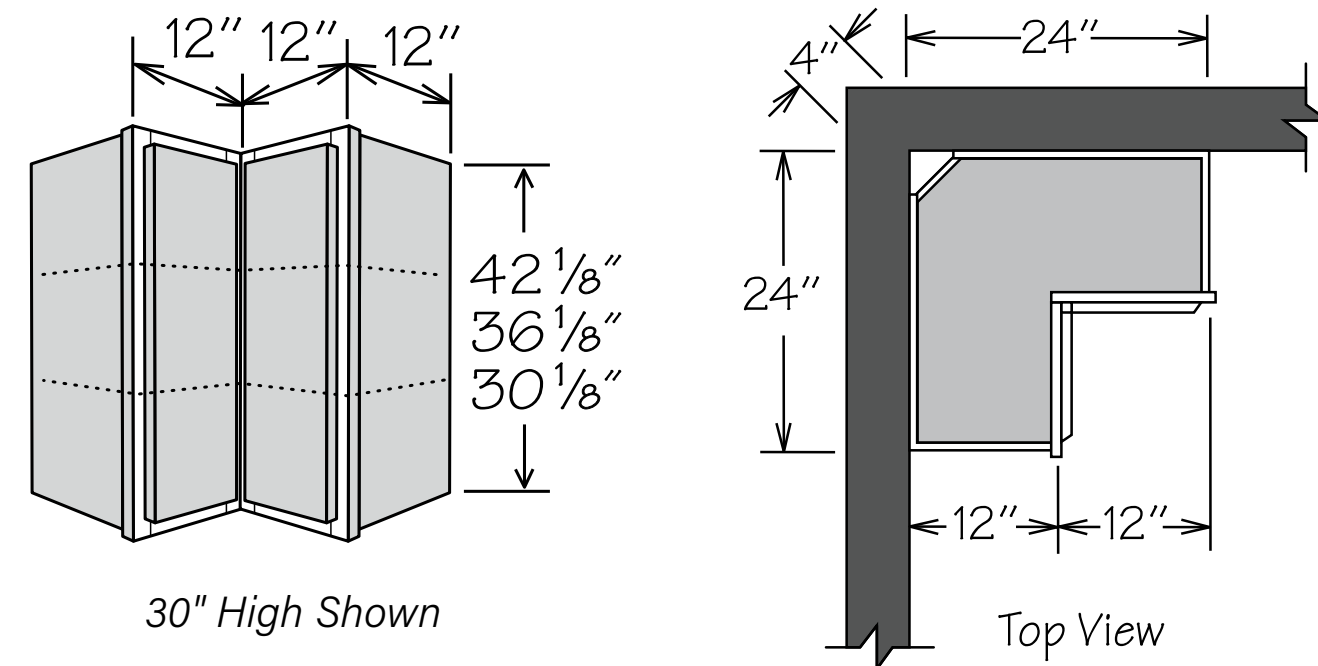
CW2436

### 42" High - 3 Shelves

CW2442



## Wall Easy Reach Cabinet



- Stile width and outside profile of both doors at door-to-door hinge may vary from standard dimension and profile for proper door function
- Must be ordered as hinged left or right
- Doors open 170°

**30"H • 2 Shelves**

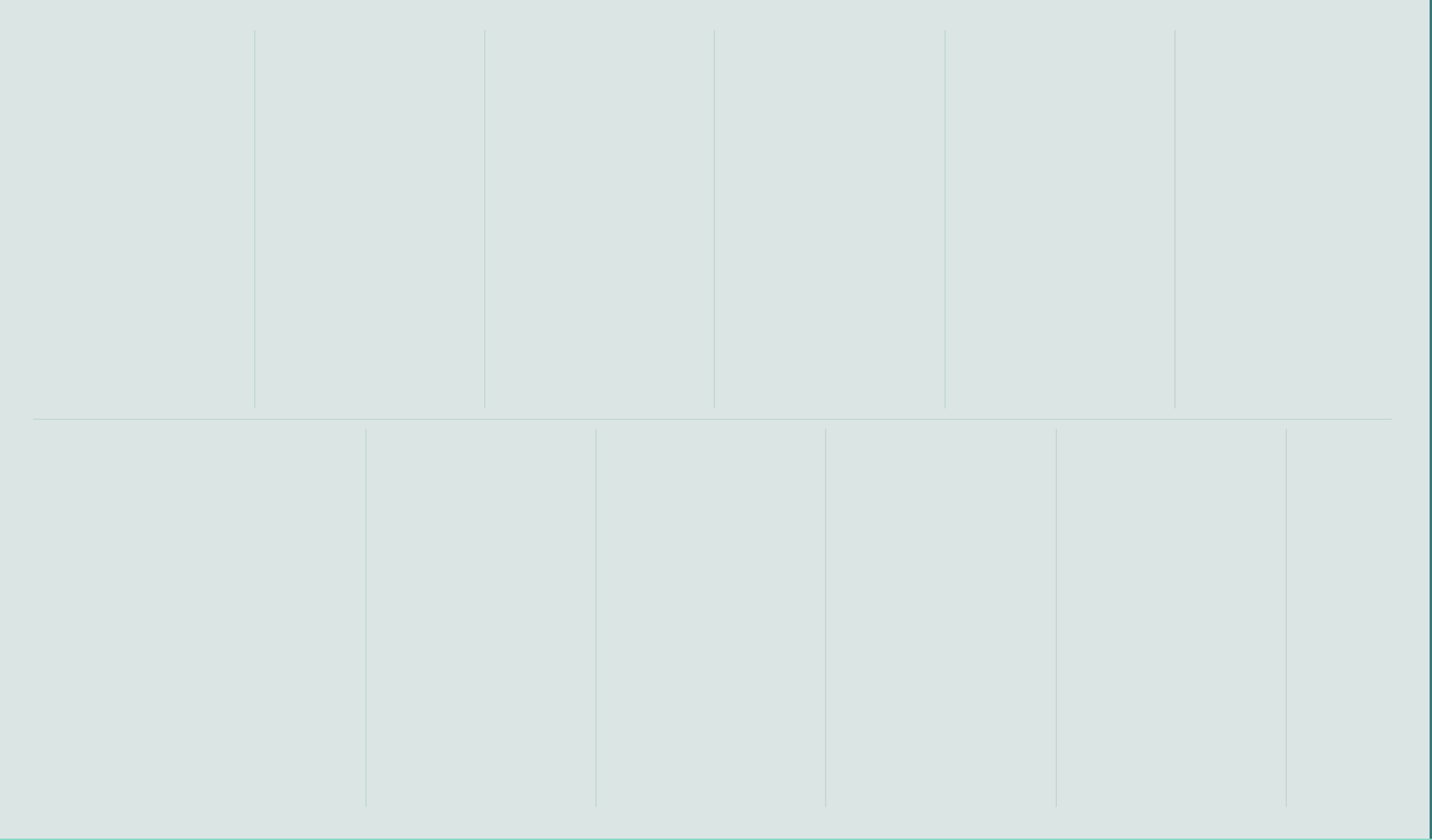
WER2430

**36"H • 2 Shelves**

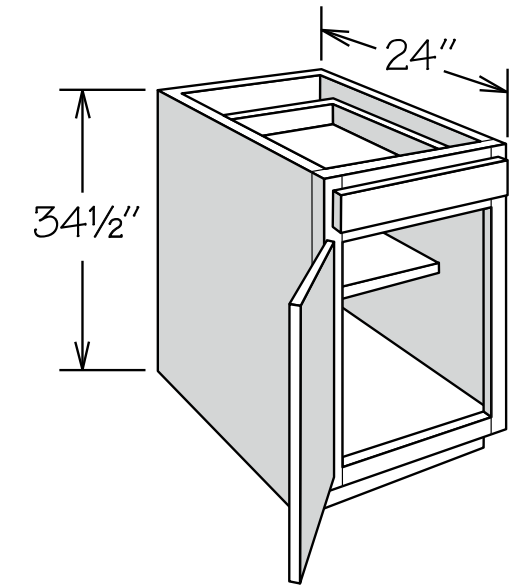
WER2436

**42"H • 3 Shelves**

WER2442



## Base • 1 Door and 1 Drawer

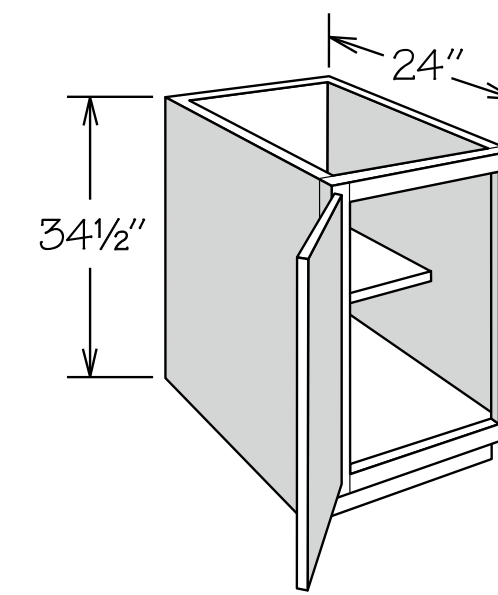


- Half-depth adjustable shelf included
- Hinged left, field reversible

### 34 1/2" High • 1 Shelf

B12  
B15  
B18  
B21

## Full-Height Base Cabinet • 1 Door



- Half-depth adjustable shelf included (excluding TB9)
- Hinged left, field reversible

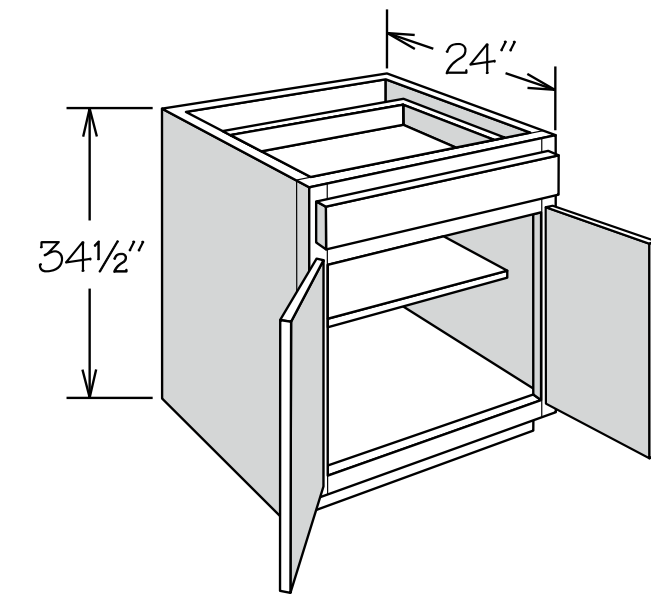
### 34 1/2" High • No Shelf

TB9

### 34 1/2" High • 1 Shelf

B12 FH  
B15 FH  
B18 FH  
B21 FH

## Base • 2 Butt Doors and 1 Drawer

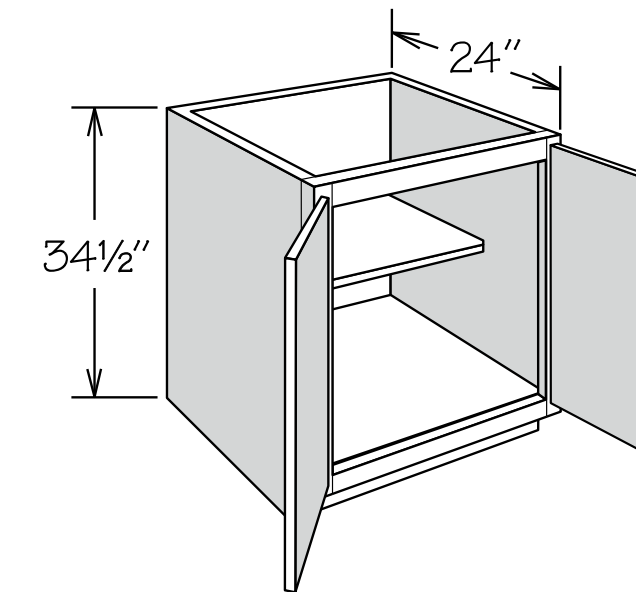


- Half-depth adjustable shelf included

### 34 1/2" High • 1 Shelf

B24 BUTT  
B27 BUTT  
B30 BUTT  
B33 BUTT  
B36 1TD BUTT

## Full-Height Base Cabinets • 2 Butt Doors

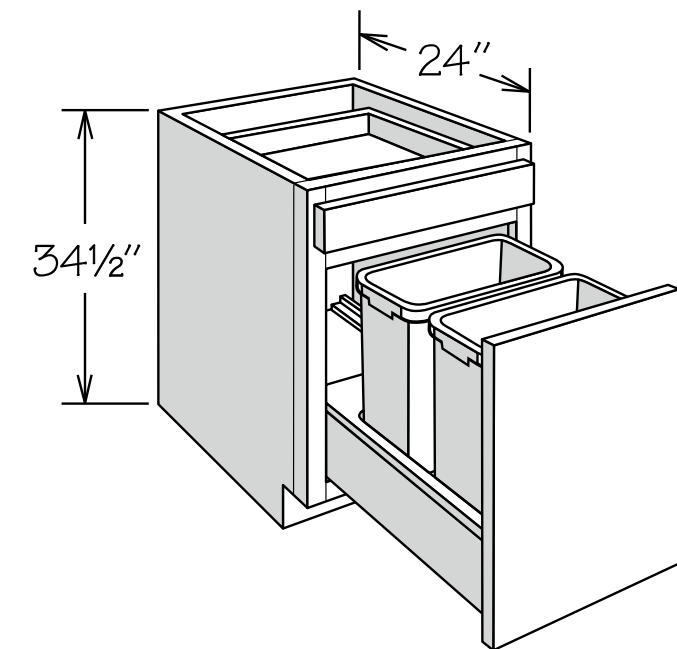


- Half-depth adjustable shelf included

### 34 1/2" High

B24 BUTT FH  
B30 BUTT FH  
B36 BUTT FH

## Base Wastebasket • 1 Door, 1 Drawer with Wastebasket Pull-Out

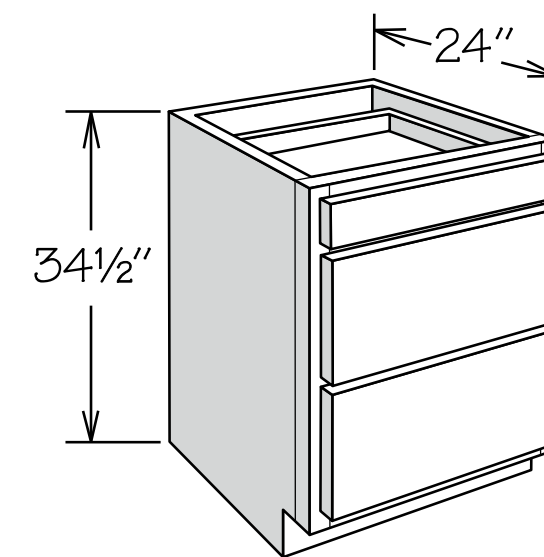


- Includes two 35-quart waste baskets

**34 1/2" High**

BWBB18-2

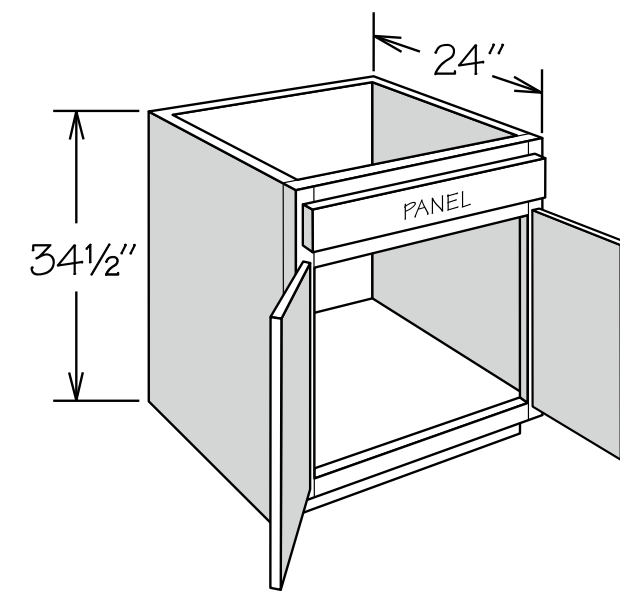
## Drawer Base Cabinet • 3 Drawers



**34 1/2" High**

- DB15
- DB18
- DB21
- DB24
- DB30
- DB36 1TD

## Sink/Cooktop Base • 2 Butt Doors

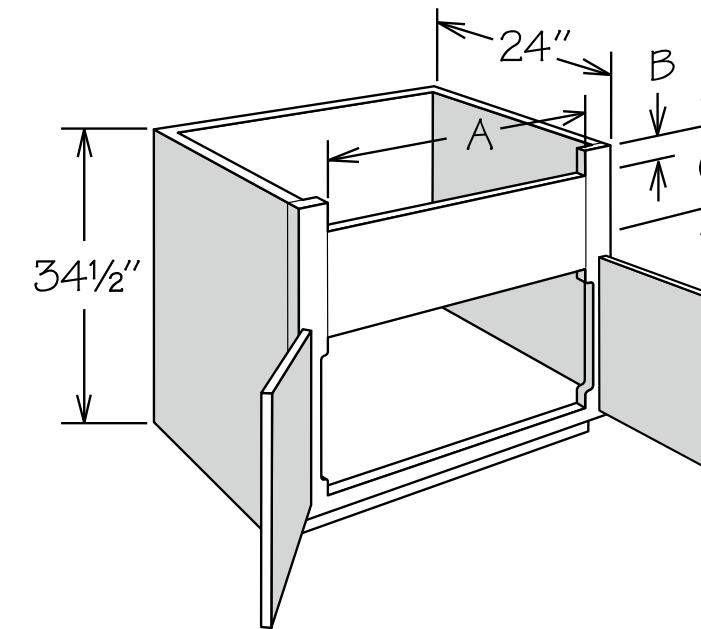


- Full-height back panel
- No shelf
- Subtract 1 1/2" from width and 1 1/8" from depth for available sink bowl opening
- Refer to sink/cooktop manufacturer's specifications for adequate clearance and required installation materials
- Touch-up kit included

### 34 1/2" High • No Shelf

SB30 BUTT  
SB33 BUTT  
SB36 BUTT

## Deep Sink/Range Base • 2 Butt Doors



A MIN.	A MAX.	B	C FOL	C POL
29 3/4"	34"	2 7/8"	10"	10 1/2"

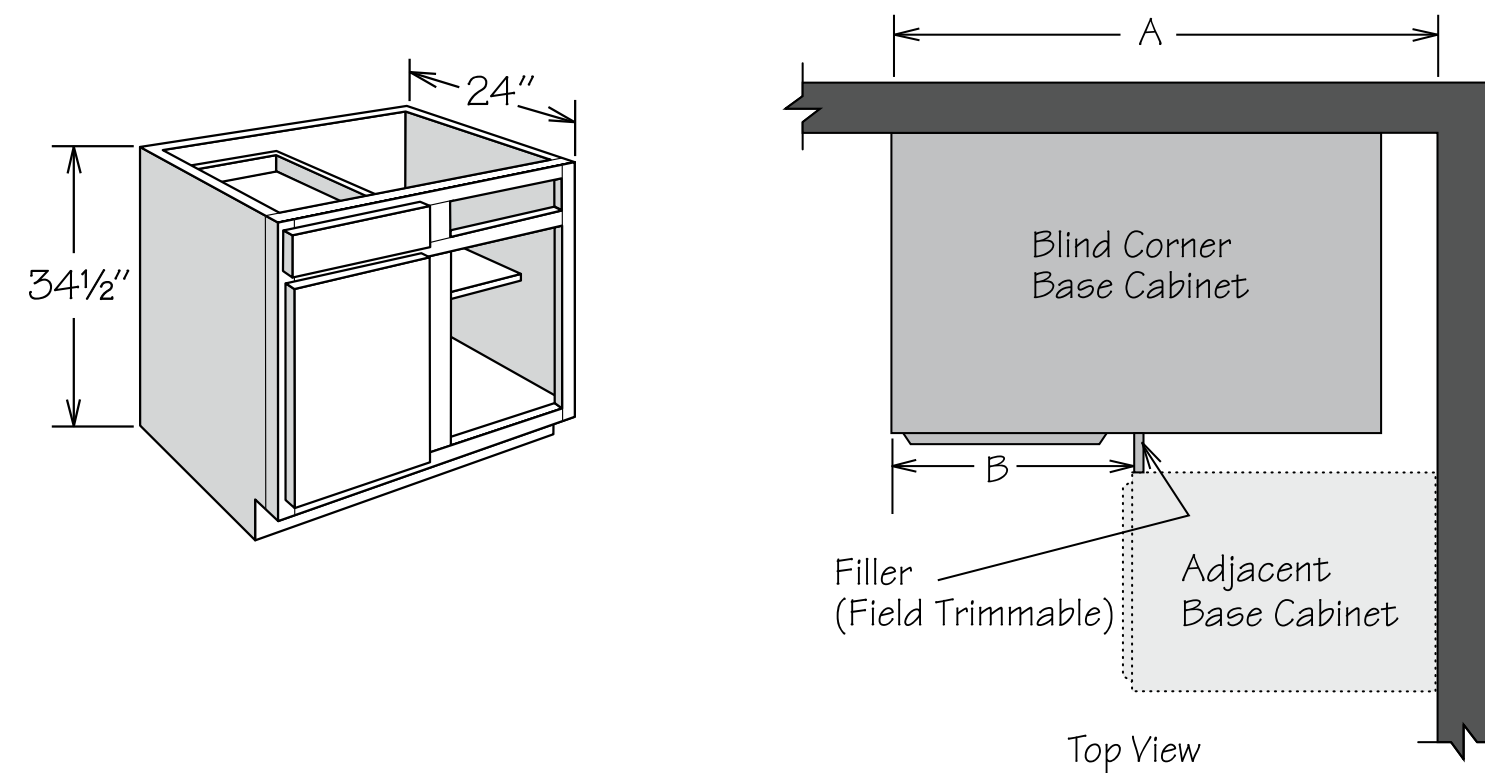
- 3 7/8" stiles and 9 1/4" rails are trimmable to accommodate various size apron-front sinks and cooktops
- No shelf
- Refer to sink/cooktop manufacturer's specifications for adequate clearance and required installation materials
- Touch-up kit included

### 34 1/2" High • No Shelf

DSB36 BUTT



## Blind Corner Base • 1 Door and 1 Drawer



\*Decorative Hardware is required and has been calculated into dimensions

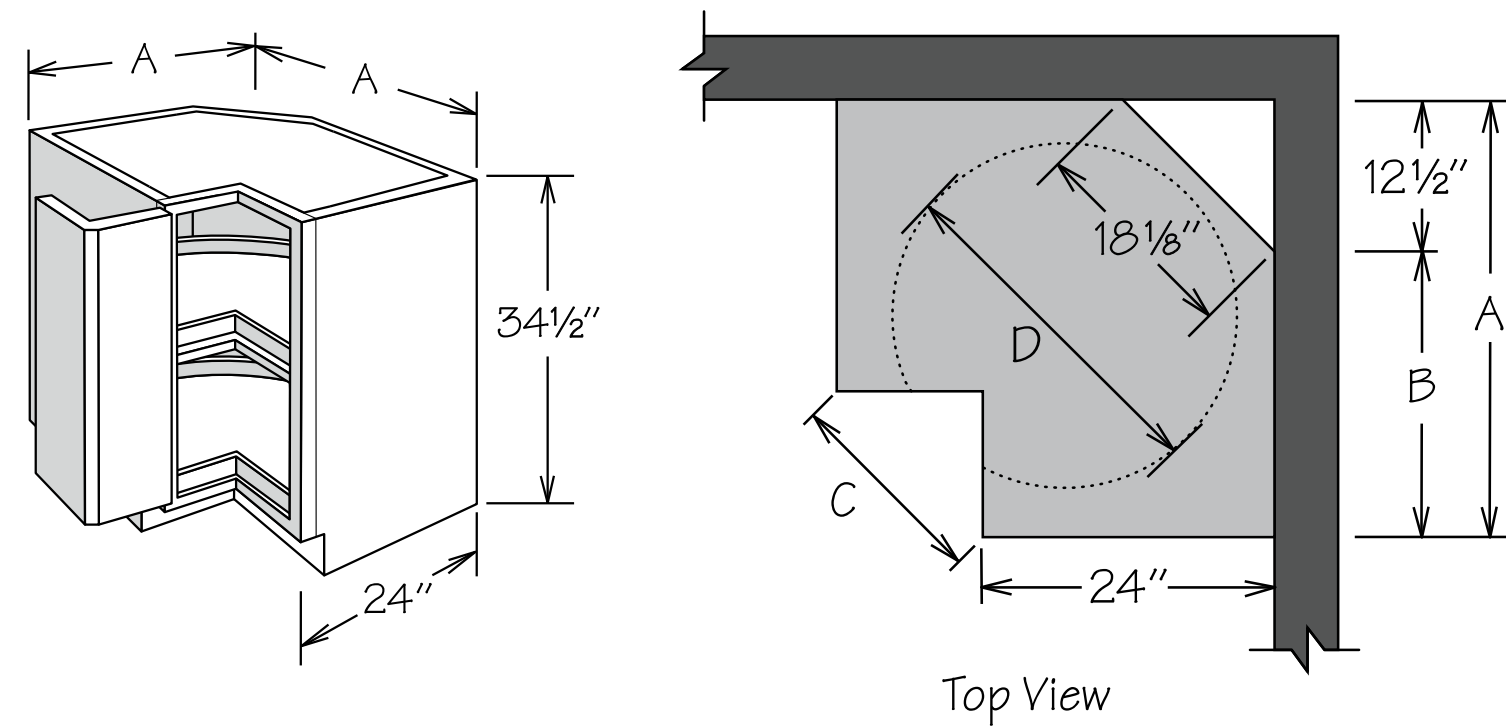
CABINET	ACTUAL CABINET WIDTH	DOOR OPENING	DOOR	WALL SPACE A					EXPOSED FRAME B		
				FOL MIN. SPACE*	POL MIN. SPACE	FOL MAX. PULL	POL MAX. PULL	MAX. SPACE	FOL MIN. SPACE*	POL MIN. SPACE*	MAX. SPACE
BLB36/39	27"	8 3/4"	DR1224	38 1/4"	37 3/8"	1 3/4"	2 5/8"	40"	14 1/4"	13 3/8"	16"
BLB39/42	33"	11 3/4"	DR1524	41 1/4"	40 3/8"	1 3/4"	2 5/8"	43"	17 1/4"	16 3/8"	19"
BLB42/45	39"	14 3/4"	DR1824	44 1/4"	43 3/8"	1 3/4"	2 5/8"	46"	20 1/4"	19 3/8"	22"
BLB45/48	45"	17 3/4"	DR2124	47 1/4"	46 3/8"	1 3/4"	2 5/8"	49"	23 1/4"	22 3/8"	25"

### 34 1/2" High • 1 Shelf

BLB36/39  
BLB39/42  
BLB42/45  
BLB45/48

- Half-depth adjustable shelf included
- Blind base door and drawer are installed in the left section
- Door and drawer can be reversed in the field, as blind sections are identical
- Refer to the chart for specifications
- Must order filler separately

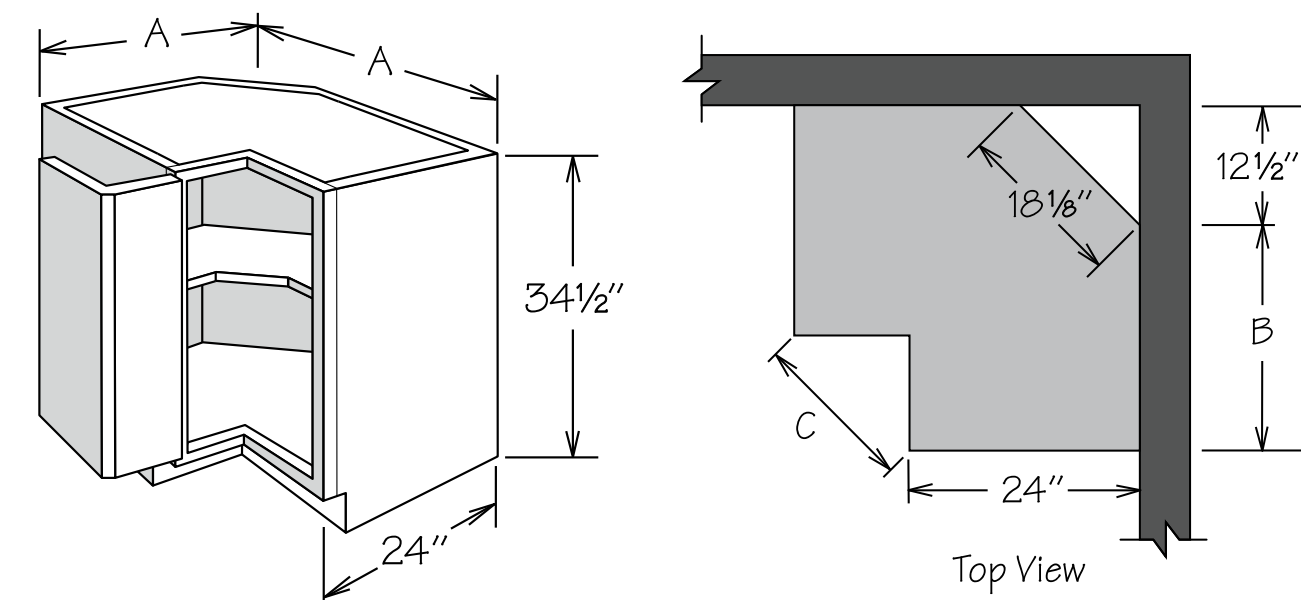
**Base Super Susan - Wood Spin Unit**



- Features a solid top
- Wood Spin Units feature:
  - » One fixed spin unit mounted on cabinet floor
  - » One spin unit attached to 3/4" adjustable shelf
  - » Natural wood finish with 1" lip
- Must be ordered hinged left or right
- Features non-CushionClose hinges
- Doors open 170 degrees
- Cabinet requires a minimum of 29" to fit through doorway (removal of cabinet door recommended)
- Additional space recommended if appliance is installed on the hinge side of this cabinet for proper door operation - decorative hardware should be taken into consideration for the overall depth of appliance
- Stile width and outside profile of both doors at door-to-door hinge may vary from standard dimension and profile for proper door function

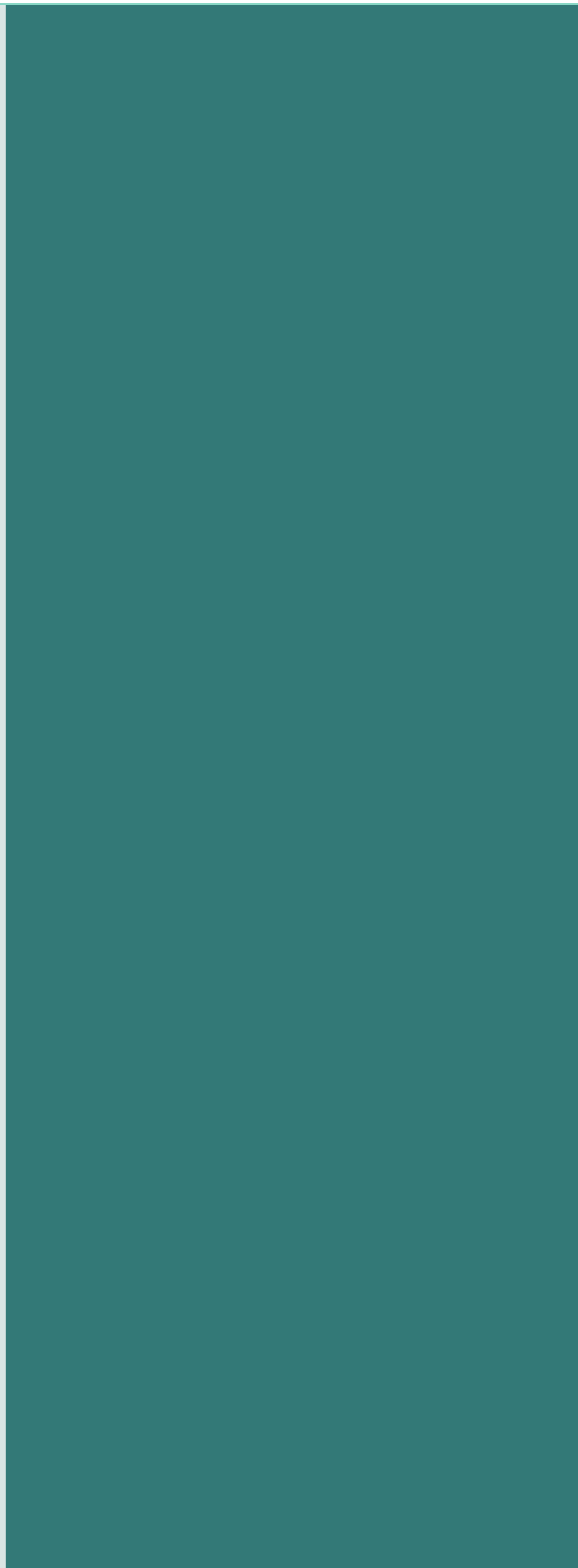
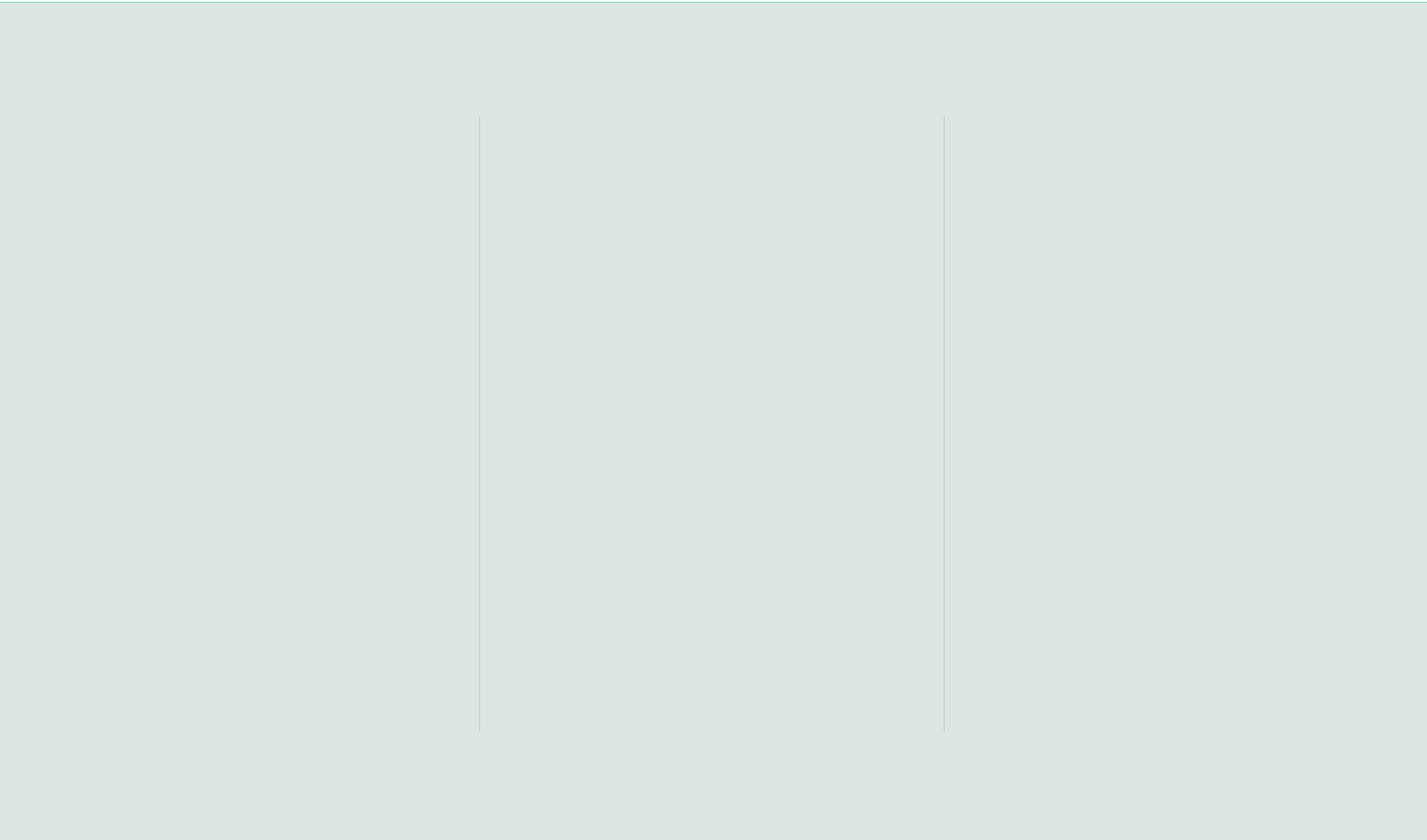
34 1/2" High	A	B	C	D
BSS36 WD	36"	23 1/2"	14 5/8"	32"

**Base Easy Reach**

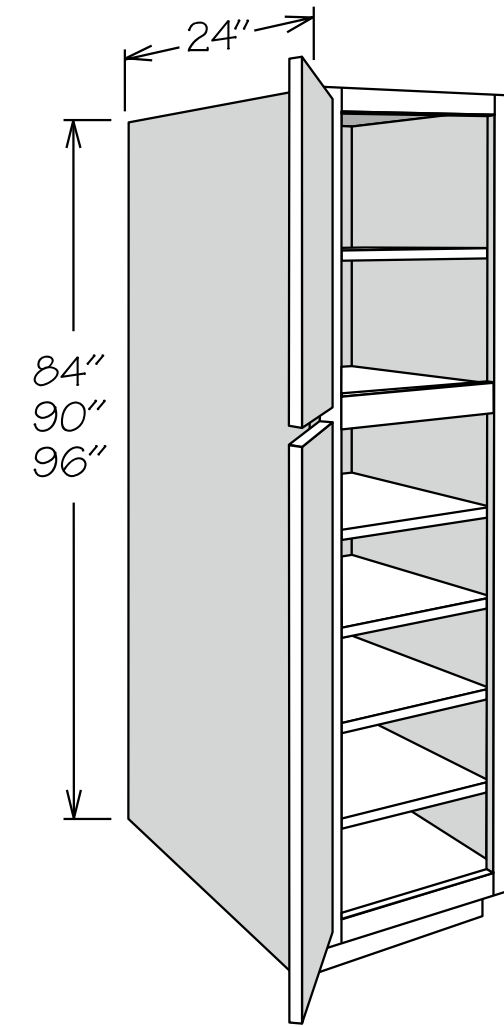


- Features a solid top
- Must be ordered hinged left or right
- Features non-CushionClose hinges
- Doors open 170 degrees
- Cabinet requires a minimum of 29" to fit through doorway (removal of cabinet door recommended)
- Additional space recommended if appliance is installed on the hinge side of this cabinet for proper door operation - decorative hardware should be taken into consideration for the overall depth of appliance
- Stile width and outside profile of both doors at door-to-door hinge may vary from standard dimension and profile for proper door function

34 1/2" High	A	B	C
BER36	36"	23 1/2"	14 5/8"



## Utility Cabinet • 2 Doors



- 96" high has removable toe kick that is field installed
- Upper door lines up with 30", 36", and 42" high wall cabinets
- Shelves ship separately for field installation

**84" High • 5 Shelves**

UT1824 X 84 AS

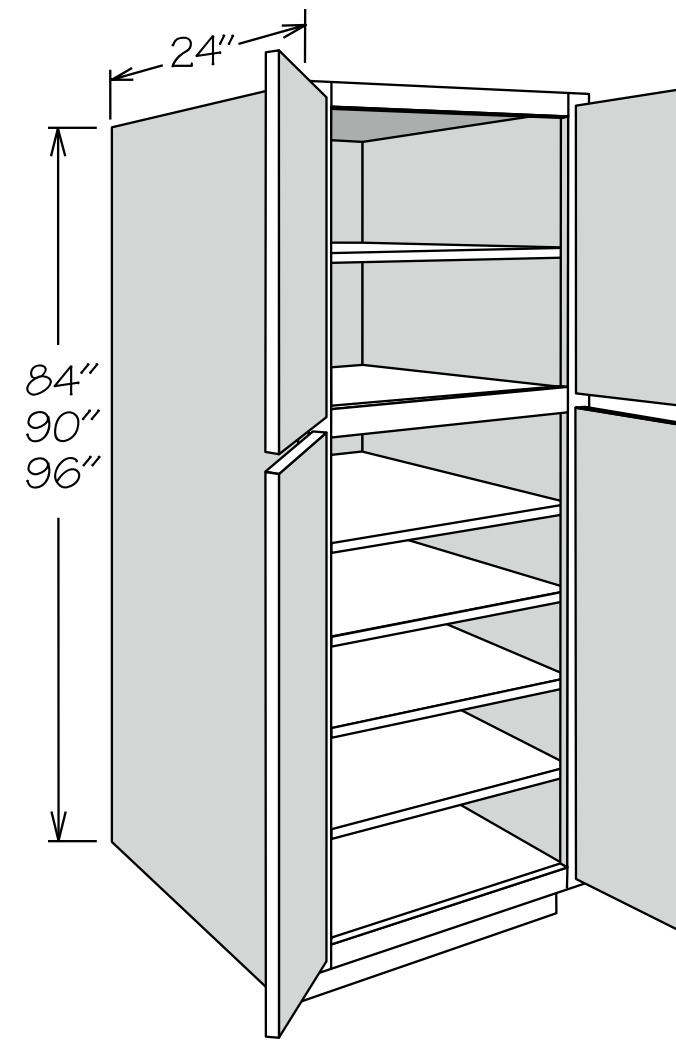
**90" High • 6 Shelves**

UT1824 X 90 AS

**96" High • 7 Shelves**

UT1824 X 96 AS

## Utility Cabinet • 4 Butt Doors



- 96" high has removable toe kick that is field installed
- Upper door lines up with 30", 36", and 42" high wall cabinets
- Shelves ship separately for field installation

**84" High • 5 Shelves**

UT2424 X 84 AS BUTT

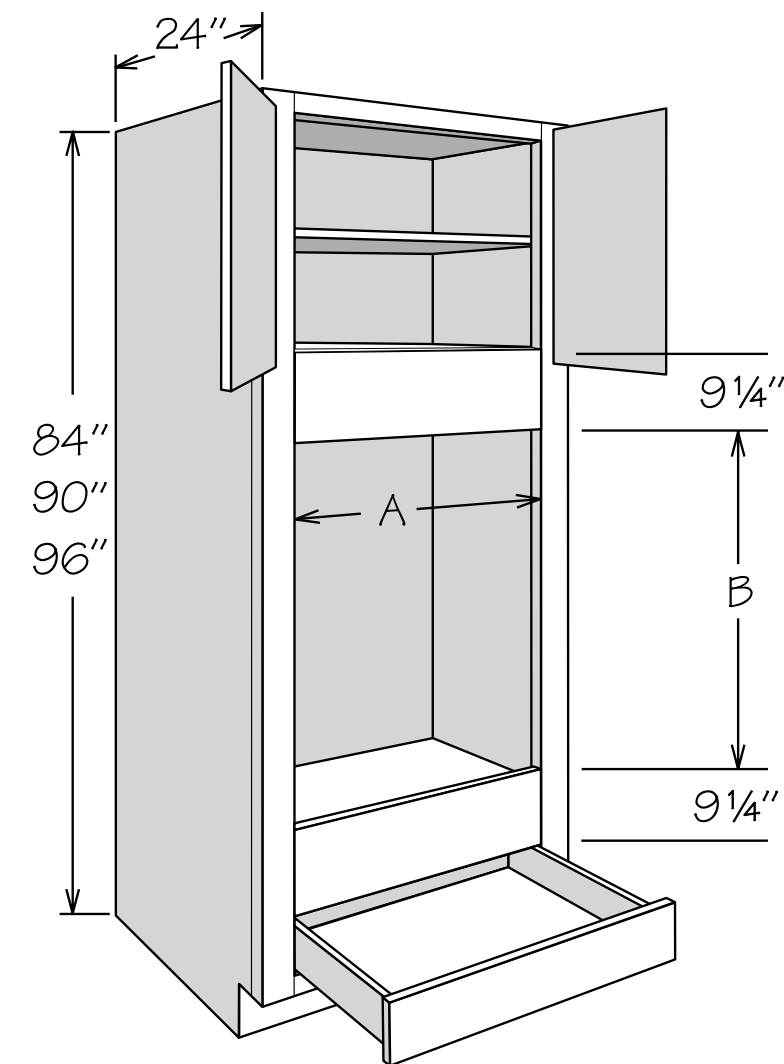
**90" High • 6 Shelves**

UT2424 X 90 AS BUTT

**96" High • 7 Shelves**

UT2424 X 96 AS BUTT

## Double Oven Cabinet • 2 Butt Doors and 1 Drawer



- 3/8" stiles and 9 1/4" rails around oven opening are trimmable
- Refer to appliance manufacturer's specifications for adequate clearances and required installation materials

### 84" High • No Shelf

OVD3384 BUTT

### 90" High • 1 Shelf

OVD3390 AS BUTT

### 96" High • 2 Shelves

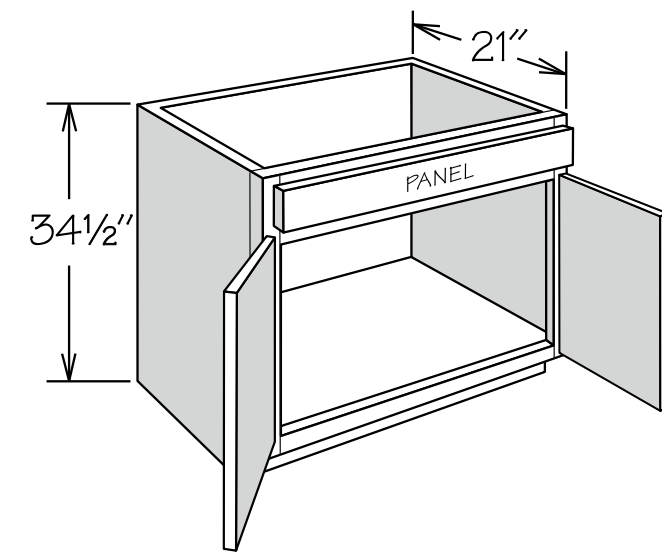
OVD3396 AS BUTT

CABINET	A MIN.	A MAX.	B MIN.	B MAX.	B MAX. (Drawer Removed*)
OVD3384 BUTT	26 3/4"	31"	39"	54 1/4"	60 1/4"
OVD3390 AS BUTT	26 3/4"	31"	38 5/8"	53 7/8"	59 7/8"
OVD3396 AS BUTT	26 3/4"	31"	39"	54 1/4"	60 1/4"

\*Maximum height includes removing drawer unit and frame horizontal



## Vanity Sink Base • 2 Butt Doors and 1 Drawer Panel

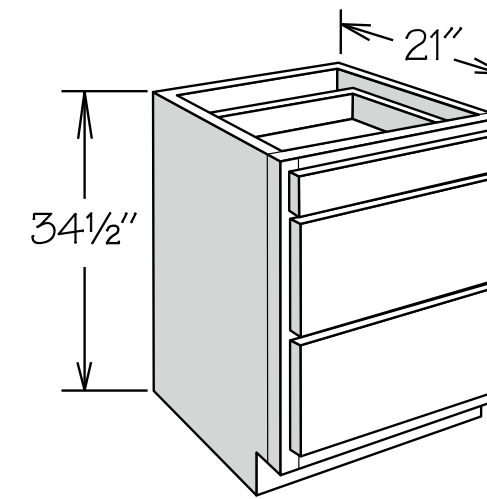


- Subtract 1 1/2" from width and 1 1/8" from depth for available sink bowl opening
- Refer to sink manufacturer's specifications for adequate clearance and required installation materials

### 34 1/2" High • No Shelf

VSB2434H BUTT  
VSB3034H BUTT  
VSB3634H BUTT

## Vanity Drawer Base • 3 Drawers



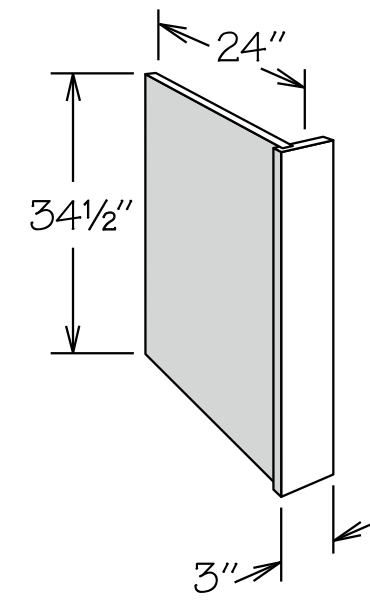
### 34 1/2" High

VDB1234H  
VDB1534H  
VDB1834H






## Dishwasher Return

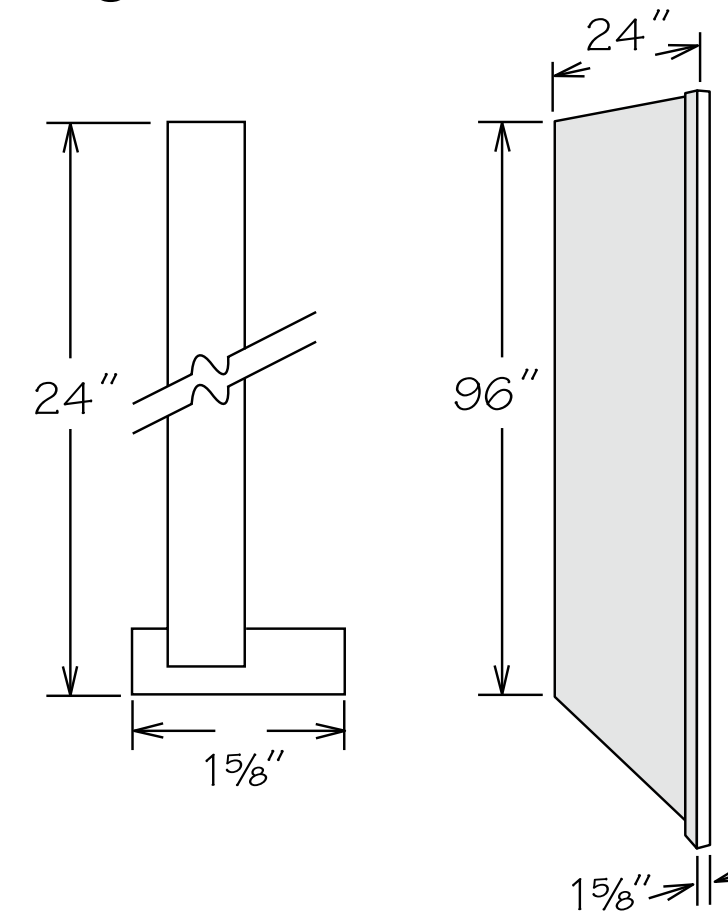


- Reversible for left or right installation
- Solid wood front
- 1/2" engineered wood with outside finished to match and inside with a natural woodgrain look
- Front filler can be trimmed to a minimum of 1" wide
- Can be notched for toe kick in the field
- Wall attachment block included

**34 1/2" High**

DWR3

## Refrigerator Return - 1/2" Panel

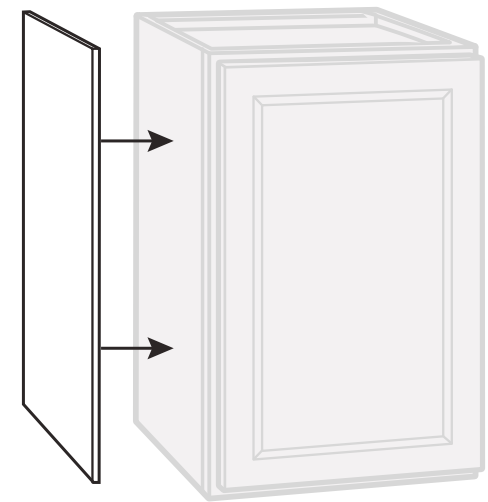


- Reversible for left or right installation
- Solid wood front
- 1/2" engineered wood with outside finished to match and inside with a natural woodgrain look
- Front filler can be trimmed to a minimum of 1" wide
- Field trimmable in height, can be notched for toe kick

**96" High**

RR96

## End Panel



- Exterior finished to match
- Wall panels are 11¼" deep x 42 1/8" high x 3/64" thick
- Base panels are 23 1/4" deep x 34 1/2" high x 3/64" thick
- Tall panels are 23 1/4" deep x 96" high and 3/64" thick
- Finished panels are 96" wide x 34 1/2" high x 3/64" thick

### Wall Panel

WEP42

### Base Panel

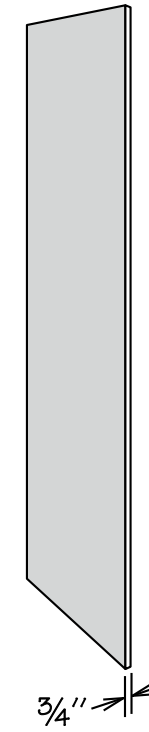
BEP34

### Finished Panel

FP9634

### Tall Panel

TEP96



- Features 1/2" engineered wood
- Both sides finished to match
- Wood tall panels are 24" wide x 96" high x 3/4" thick
- Deep wood tall panels are 32" wide x 96" high x 3/4" thick

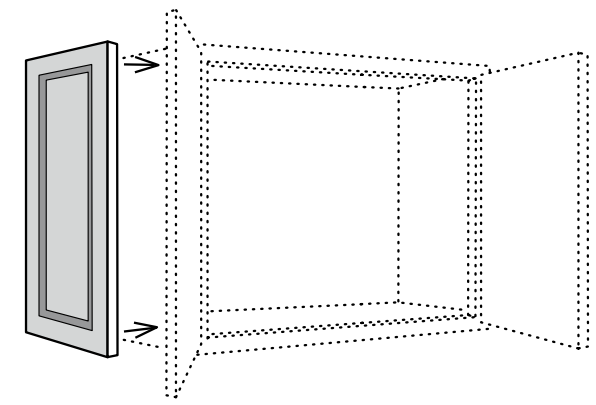
### Deep Wood Tall Panel

DWTEP96

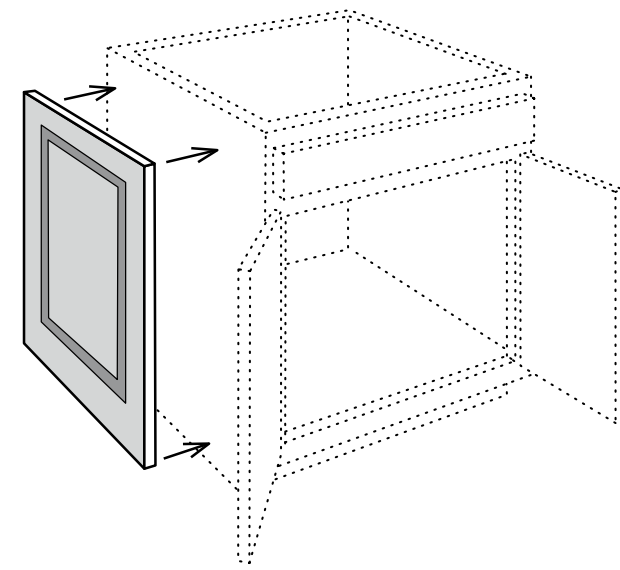
### Wood Tall Panel

WTEP96

**Decorator Matching Doors**



WALL



BASE

- Panel is recommended for installation
- Attaches to side of cabinet
- Matches style and finish of cabinet doors
- Panel thickness is 3/4"
- Refer to Parts Directory for dimensions
- Not drilled for hinges

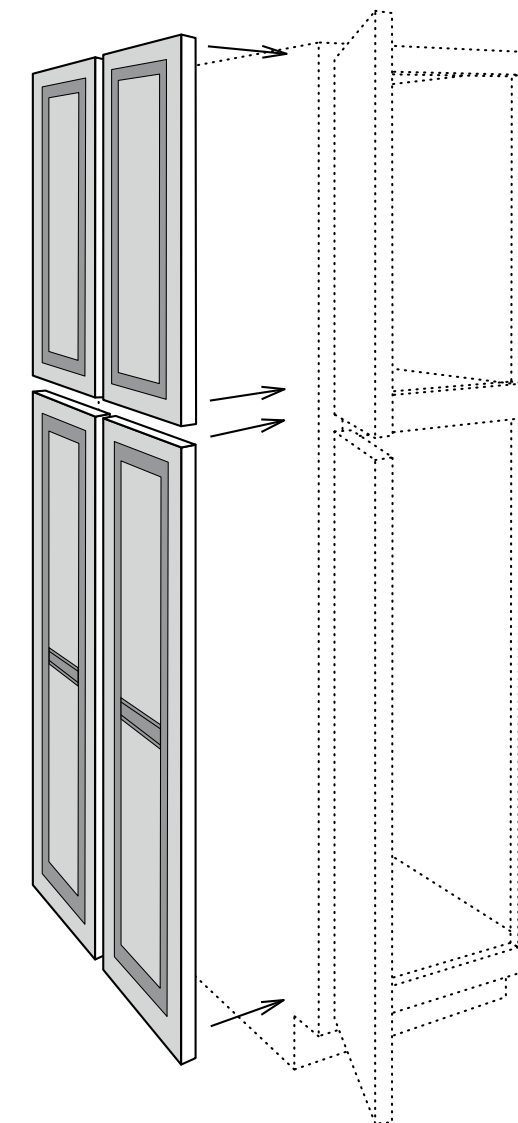
**Wall**

DMDW18  
DMDW24  
DMDW30  
DMDW36  
DMDW42

**Base**

DMDB

**Decorator Matching Doors • Tall**



TALL

- Panel is recommended for installation
- Attaches to side of cabinet
- Matches style and finish of cabinet doors
- Panel thickness is 3/4"
- Refer to Parts Directory for dimensions
- Not drilled for hinges

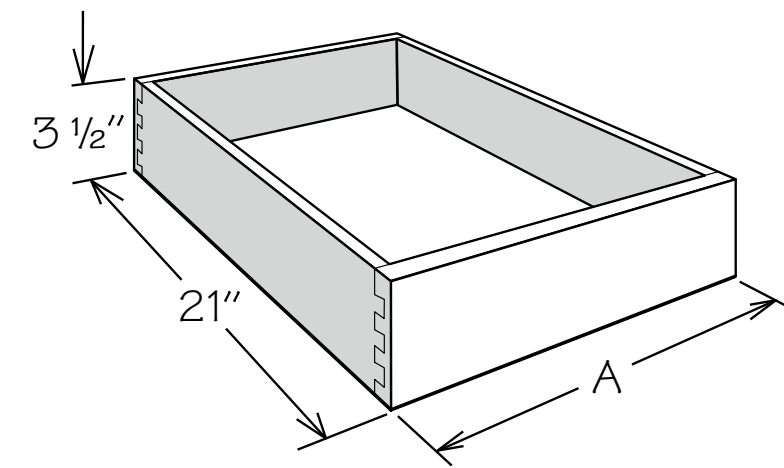
**12" Deep**

DMDT8412  
DMDT9012  
DMDT9612

**24" Deep**

DMDT8424  
DMDT9024  
DMDT9624

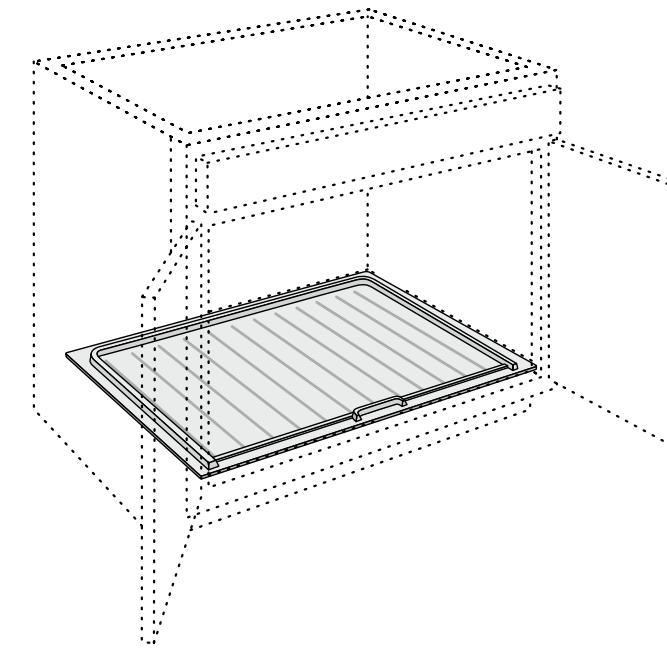
**Roll Out Tray Kit**



- Field installed accessory
- Kit includes roll out tray and all hardware
- Features full-access under-mount CushionClose drawer glides
- Glides ship unattached for field installation

	<b>A</b>
DROT15	10 <sup>3</sup> / <sub>4</sub> "
DROT18	13 <sup>3</sup> / <sub>4</sub> "
DROT21	16 <sup>3</sup> / <sub>4</sub> "
DROT24	19 <sup>3</sup> / <sub>4</sub> "
DROT27	22 <sup>3</sup> / <sub>4</sub> "
DROT30	25 <sup>3</sup> / <sub>4</sub> "
DROT33	28 <sup>3</sup> / <sub>4</sub> "
DROT36	31 <sup>3</sup> / <sub>4</sub> "

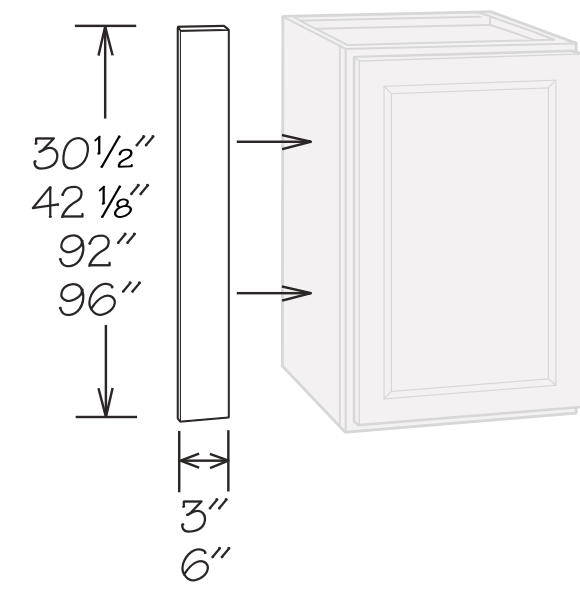
**Sink Base Mat**



- Field installation accessory
- Designed to funnel any leaks or spills out the front of the cabinet while protecting the cabinet floor
- Features flexible material in gray finish - easily trimmable
- Minor field trimming required for use in Deep Sink Base cabinets

SBMAT30
SBMAT33
SBMAT36

## Wall & Base Fillers



- UF\_\_ are 3/4" plywood and finished on front, both long edges and one short edge
- S3S\_\_ are 3/4" plywood and finished on front and all four edges

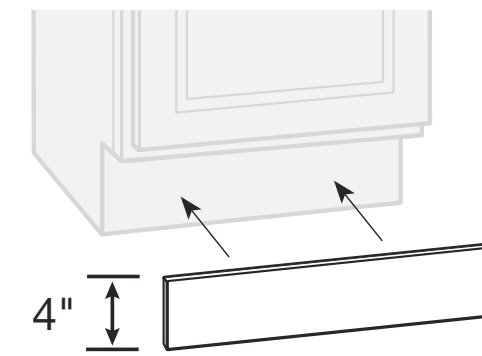
### 3" Filler

UF3  
UF342  
UF392  
S3S396

### 6" Filler

UF6  
UF642  
UF692  
S3S696

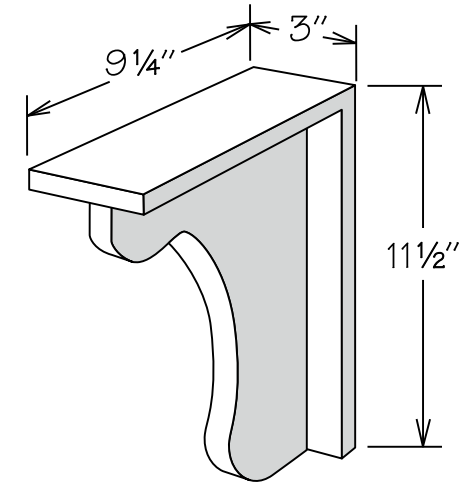
## Toe Kick



- 94" long

BTK8

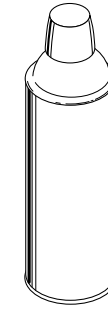
### Curved Corbel



- For decorative use only

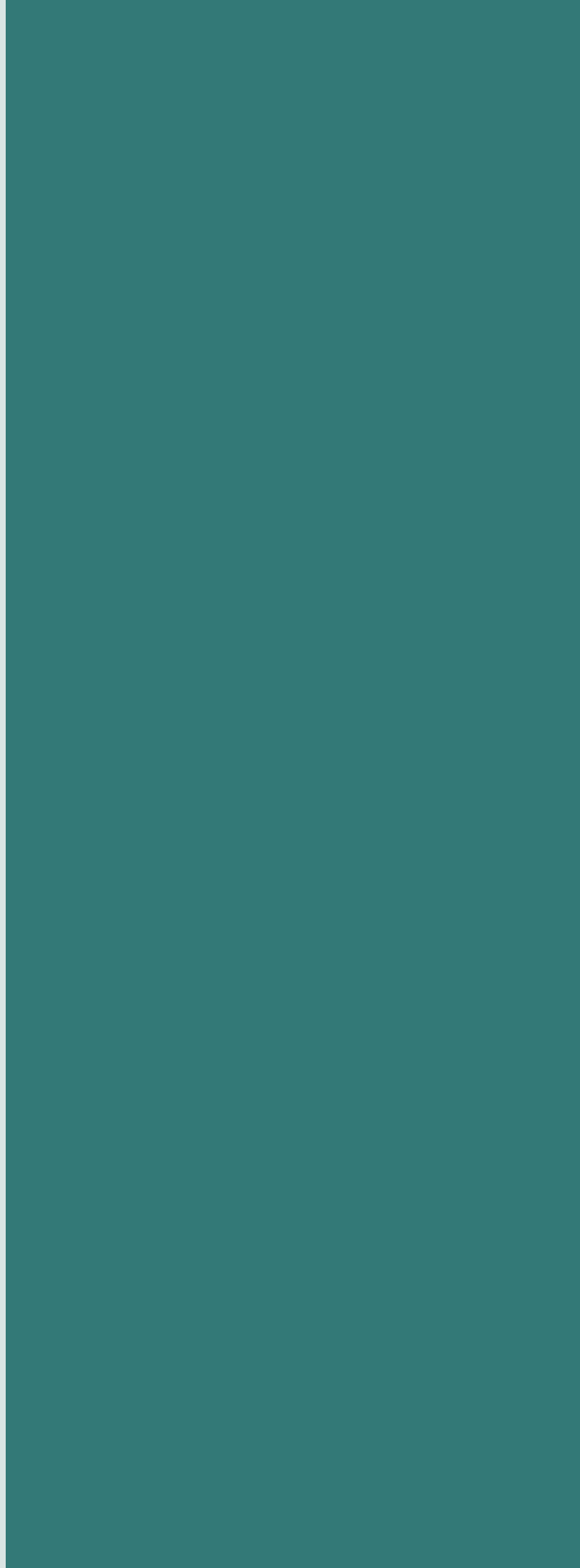
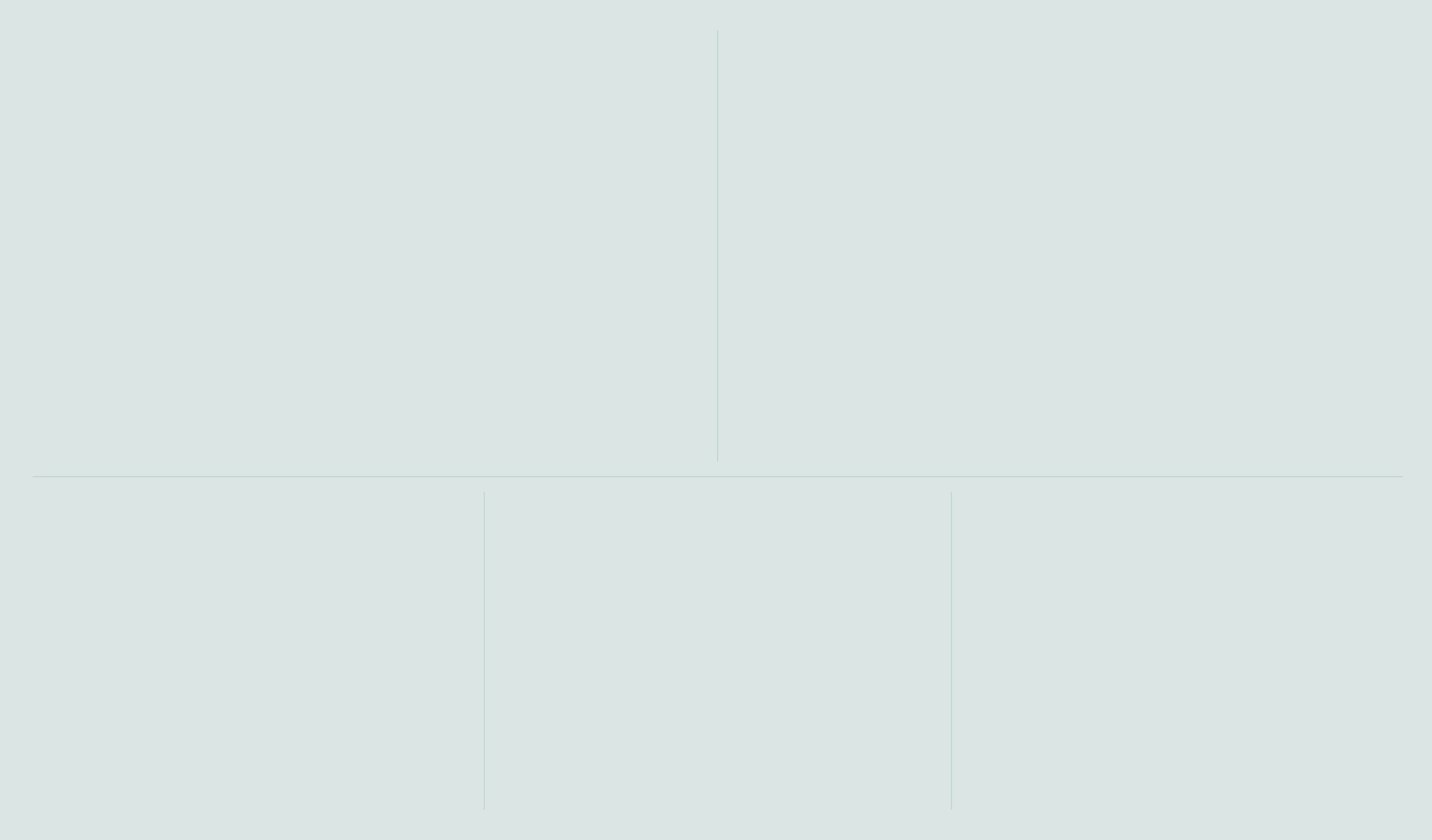
CS12

### Spray Stain

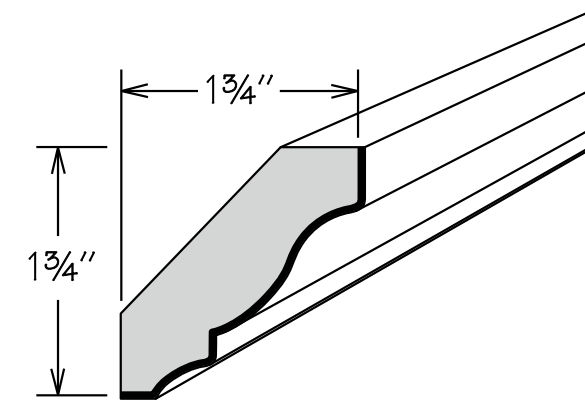


- SPRAY STAIN TINTED available for all finishes
- SPRAY STAIN CLEAR for use as top coat for all door styles
- Indicate species and finish when ordering
- 11 ounce aerosol spray can

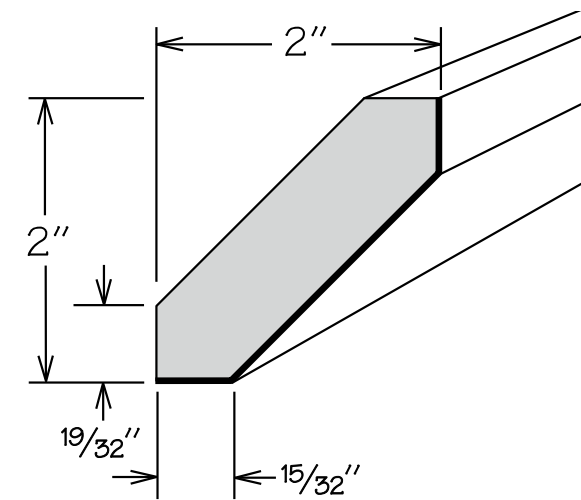
SPRAY STAIN CLEAR  
SPRAY STAIN TINTED



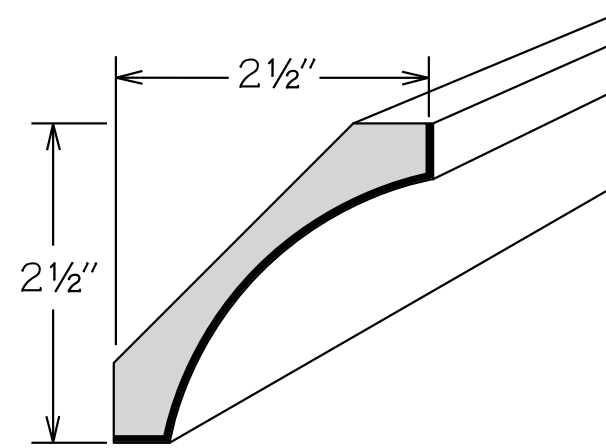
## Crown Molding



TRADITIONAL CROWN



ANGLED CROWN



COVE CROWN

- 94" long
- Bold line in illustration indicates finished surfaces

### Traditional Crown

CM8

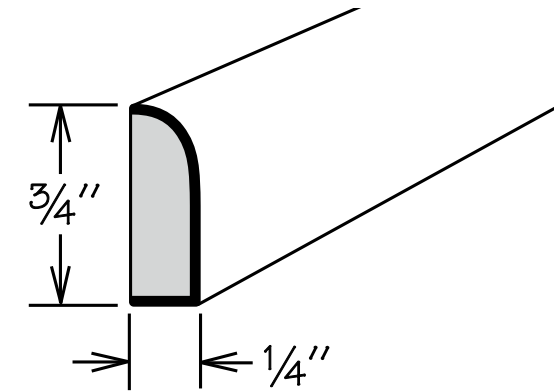
### Angled Crown

ACM8

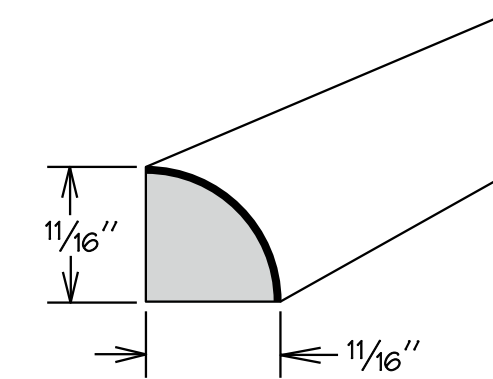
### Cove Crown

SCVM8

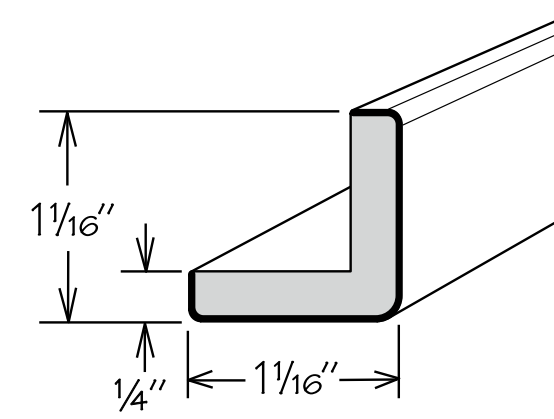
## Trim Molding



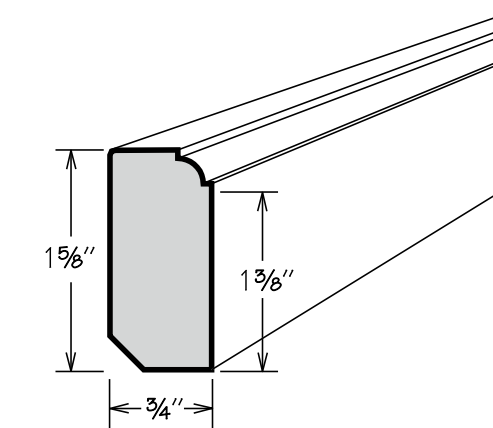
SCRIBE



QUARTER ROUND



OUTSIDE CORNER



DECORATIVE TRIM

- 94" long
- Bold line in illustration indicates finished surfaces

### Scribe

SM8

### Quarter Round

QR8

### Outside Corner

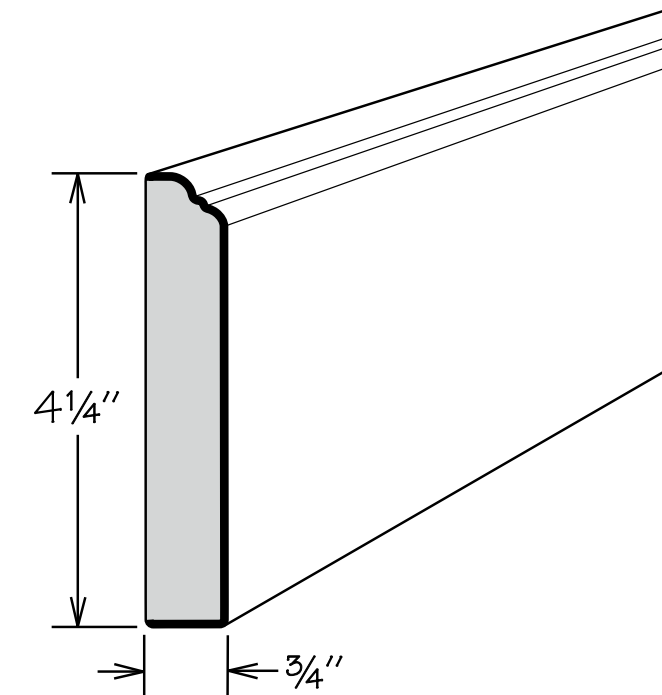
OTCM8

### Decorative Trim

DCTM8



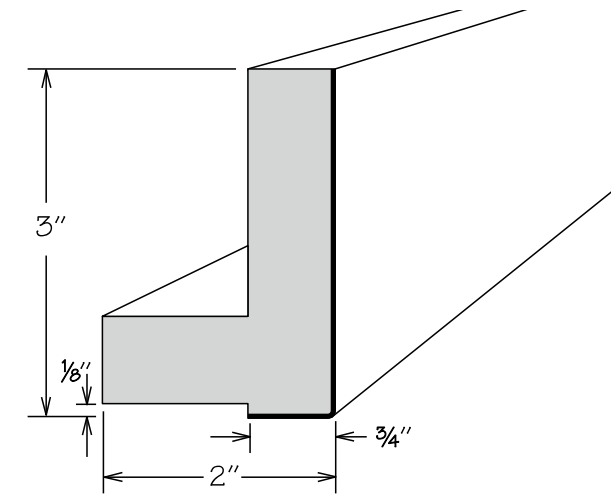
## Ogee Pilaster Molding



- 94" long
- For use with furniture toe or top molding applications
- Bold line in illustration indicates finished surfaces

OGP8

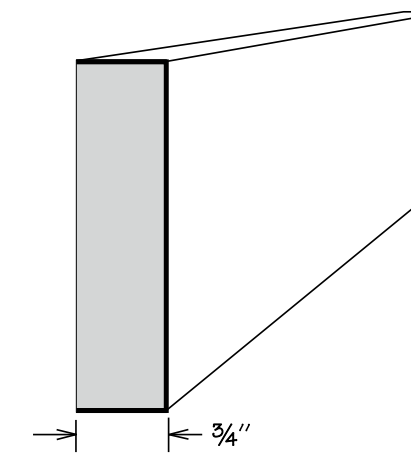
## Starter Molding



- 94" long
- Bold line in illustration indicates finished surfaces

STRM8

## Solid Stock



- 96" long
- May also be used in vertical applications (as a filler) or horizontal applications (as furniture toe)
- Bold line in illustration indicates finished surfaces

**3" High**

S3S396

**6" High**

S3S696

**Classic**  
Tier 1



**SATIN NICKEL**  
KNOB 3173SN



**MODERN**  
**BRUSHED GOLD**  
KNOB 3173MG



**MATTE BLACK**  
KNOB 3173MB

**T-Bar Pull**  
Tier 1



**SATIN NICKEL**  
PULL 4701SN  
3" Center • Overall Length: 5 5/16"



**MODERN**  
**BRUSHED GOLD**  
PULL 4701MG  
3" Center • Overall Length: 5 5/16"



**MATTE BLACK**  
PULL 4701MB  
3" Center • Overall Length: 5 5/16"

**Tempo**  
Tier 2



**SATIN NICKEL**  
KNOB 0322SN



**MODERN**  
**BRUSHED GOLD**  
KNOB 0322MG



**MATTE BLACK**  
KNOB 0322MB



**SATIN NICKEL**  
PULL 0323SN  
128mm Center • Overall Length: 5 7/16"



**MODERN**  
**BRUSHED GOLD**  
PULL 0323MG  
128mm Center • Overall Length: 5 7/16"



**MATTE BLACK**  
PULL 0323MB  
128mm Center • Overall Length: 5 7/16"

**Antic**  
Tier 3



**SATIN NICKEL**  
KNOB 6798SN



**MODERN**  
**BRUSHED GOLD**  
KNOB 6798MG



**MATTE BLACK**  
KNOB 0322MB



**SATIN NICKEL**  
PULL 6797SN  
128mm Center • Overall Length: 5 13/16"

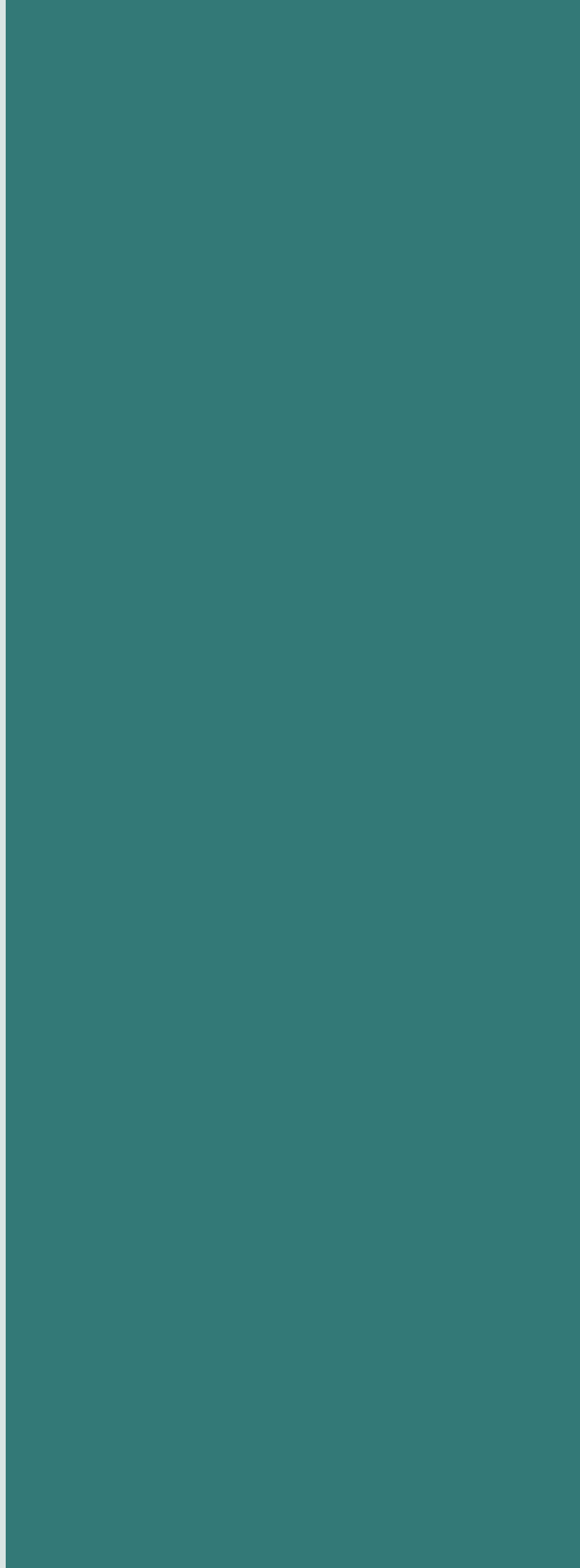


**MODERN**  
**BRUSHED GOLD**  
PULL 6797MG  
128mm Center • Overall Length: 5 13/16"



**MATTE BLACK**  
PULL 0323MB  
128mm Center • Overall Length: 5 13/16"



SKU	Qty	DOOR		ADJUSTABLE SHELF	
		Part Name	Qty	Part Name	Qty
<b>WALL CABINET - 12" HIGH</b>					
W3012 BUTT	2	DR1512 BUTT	-	N/A	
W3612 BUTT	2	DR1812 BUTT	-	N/A	
<b>WALL CABINET - 15" HIGH</b>					
W3015 BUTT	2	DR1515 BUTT	-	N/A	
W3615 BUTT	2	DR1815 BUTT	-	N/A	
<b>WALL CABINET - 18" HIGH</b>					
W3018 BUTT	2	DR1518 BUTT	1	30" SHELF PLY	
W3618 BUTT	2	DR1818 BUTT	1	36" SHELF PLY	
<b>WALL CABINET - 24" HIGH</b>					
W3024 BUTT	2	DR1524 BUTT	1	30" SHELF PLY	
W3624 BUTT	2	DR1824 BUTT	1	36" SHELF PLY	
<b>WALL CABINET - 30" HIGH</b>					
W930	1	DR930	2	9" SHELF PLY	
W1230	1	DR1230	2	12" SHELF PLY	
W1530	1	DR1530	2	15" SHELF PLY	
W1830	1	DR1830	2	18" SHELF PLY	
W2130	1	DR2130	2	21" SHELF PLY	
W2430 BUTT	2	DR1230 BUTT	2	24" SHELF PLY	
W2730 BUTT	2	DR1330 BUTT	2	27" SHELF PLY	
W3030 BUTT	2	DR1530 BUTT	2	30" SHELF PLY	
W3330 BUTT	2	DR1630 BUTT	2	33" SHELF PLY	
W3630 BUTT	2	DR1830 BUTT	2	36" SHELF PLY	
<b>WALL CABINET - 36" HIGH</b>					
W936	1	DR936	2	9" SHELF PLY	
W1236	1	DR1236	2	12" SHELF PLY	
W1536	1	DR1536	2	15" SHELF PLY	
W1836	1	DR1836	2	18" SHELF PLY	
W2136	1	DR2136	2	21" SHELF PLY	
W2436 BUTT	2	DR1236 BUTT	2	24" SHELF PLY	
W2736 BUTT	2	DR1336 BUTT	2	27" SHELF PLY	
W3036 BUTT	2	DR1536 BUTT	2	30" SHELF PLY	
W3336 BUTT	2	DR1636 BUTT	2	33" SHELF PLY	
W3636 BUTT	2	DR1836 BUTT	2	36" SHELF PLY	

SKU	Qty	DOOR		ADJUSTABLE SHELF	
		Part Name	Qty	Part Name	Qty
<b>WALL CABINET - 42" HIGH</b>					
W942	1	DR942	3	9" SHELF PLY	
W1242	1	DR1242	3	12" SHELF PLY	
W1542	1	DR1542	3	15" SHELF PLY	
W1842	1	DR1842	3	18" SHELF PLY	
W2142	1	DR2142	3	21" SHELF PLY	
W2442 BUTT	2	DR1242 BUTT	3	24" SHELF PLY	
W2742 BUTT	2	DR1342 BUTT	3	27" SHELF PLY	
W3042 BUTT	2	DR1542 BUTT	3	30" SHELF PLY	
W3342 BUTT	2	DR1642 BUTT	3	33" SHELF PLY	
W3642 BUTT	2	DR1842 BUTT	3	36" SHELF PLY	
<b>CORNER WALL CABINETS</b>					
CW2430	1	DR1530	2	CW SHELF ADJ PLY	
CW2436	1	DR1536	2	CW SHELF ADJ PLY	
CW2442	1	DR1542	3	CW SHELF ADJ PLY	
<b>WALL EASY REACH</b>					
WER2430	1	DR1230 WER DRILL	2	WER SHELF PLY	
	1	DR1230 WER ND			
WER2436	1	DR1236 WER DRILL	2	WER SHELF PLY	
	1	DR1236 WER ND			
WER2442	1	DR1242 WER DRILL	3	WER SHELF PLY	
	1	DR1242 WER ND			
<b>REFRIGERATOR WALL CABINETS - 12" HIGH</b>					
W3612 X 24 DP BUTT	2	DR1812 BUTT	-	N/A	
<b>REFRIGERATOR WALL CABINETS - 15" HIGH</b>					
W3615 X 24 DP BUTT	2	DR1815 BUTT	-	N/A	
<b>REFRIGERATOR WALL CABINETS - 18" HIGH</b>					
W3618 X 24 DP BUTT	2	DR1818 BUTT	1	36" SHELF 24DP PLY	
<b>REFRIGERATOR WALL CABINETS - 24" HIGH</b>					
W3624 X 24 DP BUTT	2	DR1824 BUTT	1	36" SHELF 24DP PLY	
<b>UTILITY CABINET - WITH ADJUSTABLE SHELVES - 24" DEEP X 84" HIGH</b>					
UT1824 X 84 AS	1	DR1830	5	S1824	
	1	DR1850			
UT2424 X 84 AS BUTT	2	DR1230 BUTT	5	S2424	
	2	DR1250 BUTT			
<b>UTILITY CABINET - WITH ADJUSTABLE SHELVES - 24" DEEP X 90" HIGH</b>					
UT1824 X 90 AS	1	DR1836	6	S1824	
	1	DR1850			
UT2424 X 90 AS BUTT	2	DR1236 BUTT	6	S2424	
	2	DR1250 BUTT			
<b>UTILITY CABINET - WITH ADJUSTABLE SHELVES - 24" DEEP X 96" HIGH</b>					
UT1824 X 96 AS	1	DR1842	7	S1824	
	1	DR1850			
UT2424 X 96 AS BUTT	2	DR1242 BUTT	7	S2424	
	2	DR1250 BUTT			

SKU	Qty	DOOR		ADJUSTABLE SHELF/ ACCESSORY		DRAWER/PANEL FRONT		DRAWER BODY
						Full Overlay	Partial Overlay	
		Part Name	Qty	Part Name	Qty	Part Name	Part Name	Part Name
<b>BASE CABINET - ADJUSTABLE SHELF</b>								
B12	1	DR1224	1	12" SHELF PLY	1	DDF12	DDF12	DRB12 X 21DP DT FD
B15	1	DR1524	1	15" SHELF PLY	1	DDF15	DDF15	DRB15 X 21DP DT FD
B18	1	DR1824	1	18" SHELF PLY	1	DDF18	DDF18	DRB18 X 21DP DT FD
B21	1	DR2124	1	21" SHELF PLY	1	DDF21	DDF21	DRB21 X 21DP DT FD
B24 BUTT	2	DR1224 BUTT	1	24" SHELF PLY	1	DDF24	DDF24	DRB24 X 21DP DT FD
B27 BUTT	2	DR1324 BUTT	1	27" SHELF PLY	1	DDF27	DDF27	DRB27 X 21DP DT FD
B30 BUTT	2	DR1524 BUTT	1	30" SHELF PLY	1	DDF30	DDF30	DRB30 X 21DP DT FD
B33 BUTT	2	DR1624 BUTT	1	33" SHELF PLY	1	DDF33	DDF33	DRB33 X 21DP DT FD
B36 1TD BUTT	2	DR1824 BUTT	1	36" SHELF PLY	1	DDF36	DDF36	DRB36 X 21DP DT FD
<b>BASE CABINET - BOTTOM MOUNT WASTEBASKETS</b>								
BWBB18-2	1	DR1824 ND	1	BWBB18-2_OL KIT	1	DDF18	DDF18	DRB18 X 21DP DT FD
<b>BLIND CORNER BASE CABINET</b>								
BLB36/39	1	DR1224	1	27" SHELF PLY	1	DDF12	DDF12	DRB12 X 21DP DT FD
BLB39/42	1	DR1524	1	33" SHELF PLY	1	DDF15	DDF15	DRB15 X 21DP DT FD
BLB42/45	1	DR1824	1	39" SHELF PLY	1	DDF18	DDF18	DRB18 X 21DP DT FD
BLB45/48	1	DR2124	1	45" SHELF PLY	1	DDF21	DDF21	DRB21 X 21DP DT FD
<b>BASE SUPER SUSAN CABINET</b>								
BSS36 (L/R) WD	1	DR1230 BER DRILL	2	BSS36 SHELF WD NP PLY	-	N/A	N/A	N/A
	1	DR1230 BER ND						
<b>BASE EASY REACH CABINET</b>								
BER36 (L/R)	1	DR1230 BER DRILL	-	N/A	-	N/A	N/A	N/A
	1	DR1230 BER ND						
<b>DOUBLE OVEN CABINET</b>								
OVD3384 BUTT	2	DR1618 BUTT	-	N/A	1	DDFOV33	DDF33	DRB33 X 21DP DT FD
OVD3390 AS BUTT	2	DR1624 BUTT	1	S3324	1	DDFOV33	DDF33	DRB33 X 21DP DT FD
OVD3396 AS BUTT	2	DR1630 BUTT	2	S3324	1	DDFOV33	DDF33	DRB33 X 21DP DT FD

SKU	Qty	DOOR		ADJUSTABLE SHELF	
		Full Overlay	Partial Overlay		
		Part Name	Part Name	Qty	Part Name
<b>FULL-HEIGHT BASE</b>					
TB9	1	DR9FH	DR930	-	N/A
B12 FH	1	DR12FH	DR1230	1	12" SHELF PLY
B15 FH	1	DR15FH	DR1530	1	15" SHELF PLY
B18 FH	1	DR18FH	DR1830	1	18" SHELF PLY
B21 FH	1	DR21FH	DR2130	1	21" SHELF PLY
B24 BUTT FH	2	DR12BUTT FH	DR1230 BUTT	1	24" SHELF PLY
B30 BUTT FH	2	DR15BUTT FH	DR1530 BUTT	1	30" SHELF PLY
B36 BUTT FH	2	DR18BUTT FH	DR1830 BUTT	1	36" SHELF PLY

SKU	Qty	DRAWER FRONT		DRAWER BODY
		Full Overlay	Partial Overlay	
		Part Name	Part Name	Part Name
<b>THREE DRAWER BASE CABINET</b>				
DB15	1	DDF15	DDF15	DRB15 X 21DP DT FD
	2	DDF15M	DDF15D	DRB15M X 21DP DT FD
DB18	1	DDF18	DDF18	DRB18 X 21DP DT FD
	2	DDF18M	DDF18D	DRB18M X 21DP DT FD
DB21	1	DDF21	DDF21	DRB21 X 21DP DT FD
	2	DDF21M	DDF21D	DRB21M X 21DP DT FD
DB24	1	DDF24	DDF24	DRB24 X 21DP DT FD
	2	DDF24M	DDF24D	DRB24M X 21DP DT FD
DB30	1	DDF30	DDF30	DRB30 X 21DP DT FD
	2	DDF30M	DDF30D	DRB30M X 21DP DT FD
DB36 1TD	1	DDF36	DDF36	DRB36 X 21DP DT FD
	2	DDF36M	DDF36D	DRB36M X 21DP DT FD
<b>VANITY DRAWER BASE</b>				
VDB1234H	1	DDF12	DDF12	DRB12 X 18DP DT FD
	2	DDF12M	DDF12D	DRB12M X 18DP DT FD
VDB1534H	1	DDF15	DDF15	DRB15 X 18DP DT FD
	2	DDF15M	DDF15D	DRB15M X 18DP DT FD
VDB1834H	1	DDF18	DDF18	DRB18 X 18DP DT FD
	2	DDF18M	DDF18D	DRB18M X 18DP DT FD

SKU	Qty	DOOR		DRAWER/PANEL FRONT	
		Part Name	Qty	Part Name	Qty
<b>DEEP SINK BASE CABINET</b>					
DSB36 BUTT	2	DR1824V BUTT	-	N/A	
<b>SINK/COOKTOP BASE CABINET</b>					
SB30 BUTT	2	DR1524 BUTT	1	DDF30	
SB33 BUTT	2	DR1624 BUTT	1	DDF33	
SB36 BUTT	2	DR1824 BUTT	1	DDF36	
<b>VANITY SINK BASE - 34 1/2" HIGH</b>					
VSB2434H BUTT	2	DR1224 BUTT	1	DDF24	
VSB3034H BUTT	2	DR1524 BUTT	1	DDF30	
VSB3634H BUTT	2	DR1824 BUTT	1	DDF36	

DOOR & DRAWER FRONT DIMENSIONS		
PART NAME	No-Drill (ND) Doors are the same dimension	
	Full Overlay	Standard Overlay
	Dimensions	Dimensions
<b>50" HIGH DOOR</b>		
DR1250 BUTT	11 23/32" x 49 1/4"	10 15/16" x 47 3/4"
DR1850	17 9/16" x 49 1/4"	15 7/8" x 47 3/4"
<b>42" HIGH DOOR</b>		
DR942	8 9/16" x 41 1/2"	6 7/8" x 40"
DR1242	11 9/16" x 41 1/2"	9 7/8" x 40"
DR1242 BUTT	11 23/32" x 41 1/2"	10 15/16" x 40"
DR1242 WER DRILL	10 3/4" x 41 1/2"	10" x 40"
DR1242 WER ND	10 3/4" x 41 1/2"	10" x 40"
DR1342 BUTT	13 7/32" x 41 1/2"	12 7/16" x 40"
DR1542	14 9/16" x 41 1/2"	12 7/8" x 40"
DR1542 BUTT	14 23/32" x 41 1/2"	13 15/16" x 40"
DR1642 BUTT	16 7/32" x 41 1/2"	15 7/16" x 40"
DR1842	17 9/16" x 41 1/2"	15 7/8" x 40"
DR1842 BUTT	17 23/32" x 41 1/2"	16 15/16" x 40"
DR2142	20 9/16" x 41 1/2"	18 7/8" x 40"
<b>36" HIGH DOOR</b>		
DR936	8 9/16" x 35 1/2"	6 7/8" x 34"
DR1236	11 9/16" x 35 1/2"	9 7/8" x 34"
DR1236 BUTT	11 23/32" x 35 1/2"	10 15/16" x 34"
DR1236 WER DRILL	10 3/4" x 35 1/2"	10" x 34"
DR1236 WER ND	10 3/4" x 35 1/2"	10" x 34"
DR1336 BUTT	13 7/32" x 35 1/2"	12 7/16" x 34"
DR1536	14 9/16" x 35 1/2"	12 7/8" x 34"
DR1536 BUTT	14 23/32" x 35 1/2"	13 15/16" x 34"
DR1636 BUTT	16 7/32" x 35 1/2"	15 7/16" x 34"
DR1836	17 9/16" x 35 1/2"	15 7/8" x 34"
DR1836 BUTT	17 23/32" x 35 1/2"	16 15/16" x 34"
DR2136	20 9/16" x 35 1/2"	18 7/8" x 34"
<b>30" HIGH DOOR</b>		
DR930	8 9/16" x 29 1/2"	6 7/8" x 28"
DR1230	11 9/16" x 29 1/2"	9 7/8" x 28"
DR1230 BUTT	11 23/32" x 29 1/2"	10 15/16" x 28"
DR1230 BER DRILL	10 3/4" x 29 7/8"	10" x 28"
DR1230 BER ND	10 3/4" x 29 7/8"	10" x 28"
DR1230 WER DRILL	10 3/4" x 29 1/2"	10" x 28"
DR1230 WER ND	10 3/4" x 29 1/2"	10" x 28"
DR1330 BUTT	13 7/32" x 29 1/2"	12 7/16" x 28"
DR1530	14 9/16" x 29 1/2"	12 7/8" x 28"
DR1530 BUTT	14 23/32" x 29 1/2"	13 15/16" x 28"
DR1630 BUTT	16 7/32" x 29 1/2"	15 7/16" x 28"
DR1830	17 9/16" x 29 1/2"	15 7/8" x 28"
DR1830 BUTT	17 23/32" x 29 1/2"	16 15/16" x 28"
DR2130	20 9/16" x 29 1/2"	18 7/8" x 28"
<b>24" HIGH DOOR</b>		
DR1224	11 9/16" x 23 7/8"	9 7/8" x 22 3/8"
DR1224 BUTT	11 23/32" x 23 7/8"	10 15/16" x 22 3/8"
DR1324 BUTT	13 7/32" x 23 7/8"	12 7/16" x 22 3/8"
DR1524	14 9/16" x 23 7/8"	12 7/8" x 22 3/8"
DR1524 BUTT	14 23/32" x 23 7/8"	13 15/16" x 22 3/8"
DR1624 BUTT	16 7/32" x 23 7/8"	15 7/16" x 22 3/8"
DR1824 / DR1824 ND	17 9/16" x 23 7/8"	15 7/8" x 22 3/8"
DR1824 BUTT	17 23/32" x 23 7/8"	16 15/16" x 22 3/8"
DR2124	20 9/16" x 23 7/8"	18 7/8" x 22 3/8"
<b>21" HIGH DOOR</b>		
DR1821V BUTT	17 23/32" x 20"	16 15/16" x 18 1/2"
<b>18" HIGH DOOR</b>		
DR1518 BUTT	14 23/32" x 17 1/2"	13 15/16" x 16"
DR1618 BUTT	16 7/32" x 17 1/2"	15 7/16" x 16"
DR1818 BUTT	17 23/32" x 17 1/2"	16 15/16" x 16"

DOOR & DRAWER FRONT DIMENSIONS		
PART NAME	No-Drill (ND) Doors are the same dimension	
	Full Overlay	Standard Overlay
	Dimensions	Dimensions
<b>15" HIGH DOOR</b>		
DR1515 BUTT	14 23/32" x 14 1/2"	13 15/16" x 13"
DR1815 BUTT	17 23/32" x 14 1/2"	16 15/16" x 13"
<b>12" HIGH DOOR</b>		
DR1512 BUTT	14 23/32" x 11 1/2"	13 15/16" x 10"
DR1812 BUTT	17 23/32" x 11 1/2"	16 15/16" x 10"
<b>FULL-HEIGHT DOOR</b>		
DR9FH	8 9/16" x 29 7/8"	-
DR12BUTT FH	11 23/32" x 29 7/8"	-
DR12FH	11 9/16" x 29 7/8"	-
DR15BUTT FH	14 23/32" x 29 7/8"	-
DR15FH	14 9/16" x 29 7/8"	-
DR18BUTT FH	17 23/32" x 29 7/8"	-
DR18FH	17 9/16" x 29 7/8"	-
DR21FH	20 9/16" x 29 7/8"	-
<b>STANDARD DRAWER FRONT</b>		
DDF12	11 9/16" x 5 13/16"	9 7/8" x 5 1/8"
DDF15	14 9/16" x 5 13/16"	12 7/8" x 5 1/8"
DDF18	17 9/16" x 5 13/16"	15 7/8" x 5 1/8"
DDF21	20 9/16" x 5 13/16"	18 7/8" x 5 1/8"
DDF24	23 9/16" x 5 13/16"	21 7/8" x 5 1/8"
DDF27	26 9/16" x 5 13/16"	24 7/8" x 5 1/8"
DDF30	29 9/16" x 5 13/16"	27 7/8" x 5 1/8"
DDF33	32 9/16" x 5 13/16"	30 7/8" x 5 1/8"
DDF36	35 9/16" x 5 13/16"	33 7/8" x 5 1/8"
DDFQV33	32 9/16" x 7 7/16"	-
<b>LARGE DRAWER FRONT</b>		
DDF12M	11 9/16" x 11 27/32"	-
DDF12D	-	9 7/8" x 10 13/16"
DDF15M	14 9/16" x 11 27/32"	-
DDF15D	-	12 7/8" x 10 13/16"
DDF18M	17 9/16" x 11 27/32"	-
DDF18D	-	15 7/8" x 10 13/16"
DDF21M	20 9/16" x 11 27/32"	-
DDF21D	-	18 7/8" x 10 13/16"
DDF24M	23 9/16" x 11 27/32"	-
DDF24D	-	21 7/8" x 10 13/16"
DDF30M	29 9/16" x 11 27/32"	-
DDF30D	-	27 7/8" x 10 13/16"
DDF36M	35 9/16" x 11 27/32"	-
DDF36D	-	33 7/8" x 10 13/16"
<b>ROLL-OUT ACCESSORY DIMENSIONS</b>		
PART NAME		
DEEP ROLL-OUT TRAYS		
DROT15		10 3/4" x 3 1/2" x 21"
DROT18		13 3/4" x 3 1/2" x 21"
DROT21		16 3/4" x 3 1/2" x 21"
DROT24		19 3/4" x 3 1/2" x 21"
DROT27		22 3/4" x 3 1/2" x 21"
DROT30		25 3/4" x 3 1/2" x 21"
DROT33		28 3/4" x 3 1/2" x 21"
DROT36		31 3/4" x 3 1/2" x 21"

DRAWER BODY DIMENSIONS	
PART NAME	Dimensions (W x H x D)
<b>STANDARD DRAWERS</b>	
<b>21" DEEP</b>	
DRB12 X 21DP DT FD	8 1/16" x 3 1/2" x 21"
DRB15 X 21DP DT FD	11 1/16" x 3 1/2" x 21"
DRB18 X 21DP DT FD	14 1/16" x 3 1/2" x 21"
DRB21 X 21DP DT FD	17 1/16" x 3 1/2" x 21"
DRB24 X 21DP DT FD	20 1/16" x 3 1/2" x 21"
DRB27 X 21DP DT FD	23 1/16" x 3 1/2" x 21"
DRB30 X 21DP DT FD	26 1/16" x 3 1/2" x 21"
DRB33 X 21DP DT FD	29 1/16" x 3 1/2" x 21"
DRB36 X 21DP DT FD	32 1/16" x 3 1/2" x 21"
<b>18" DEEP</b>	
DRB12 X 18DP DT FD	8 1/16" x 3 1/2" x 18"
DRB15 X 18DP DT FD	11 1/16" x 3 1/2" x 18"
DRB18 X 18DP DT FD	14 1/16" x 3 1/2" x 18"
<b>LARGE DRAWERS</b>	
<b>21" DEEP</b>	
DRB15M X 21DP DT FD	11 1/16" x 7" x 21"
DRB18M X 21DP DT FD	14 1/16" x 7" x 21"
DRB21M X 21DP DT FD	17 1/16" x 7" x 21"
DRB24M X 21DP DT FD	20 1/16" x 7" x 21"
DRB30M X 21DP DT FD	26 1/16" x 7" x 21"
DRB36M X 21DP DT FD	32 1/16" x 7" x 21"
<b>18" DEEP</b>	
DRB12M X 18DP DT FD	8 1/16" x 7" x 18"
DRB15M X 18DP DT FD	11 1/16" x 7" x 18"
DRB18M X 18DP DT FD	14 1/16" x 7" x 18"
<b>PLYWOOD SHELF DIMENSIONS</b>	
PART NAME	Dimensions (W x H x D)
<b>12" DEEP</b>	
9" SHELF PLY	7 1/4" x 3/4" x 10 1/4"
12" SHELF PLY	10 1/4" x 3/4" x 10 1/4"
15" SHELF PLY	13 1/4" x 3/4" x 10 1/4"
18" SHELF PLY	16 1/4" x 3/4" x 10 1/4"
21" SHELF PLY	19 1/4" x 3/4" x 10 1/4"
24" SHELF PLY	22 1/4" x 3/4" x 10 1/4"
27" SHELF PLY	25 1/4" x 3/4" x 10 1/4"
30" SHELF PLY	28 1/4" x 3/4" x 10 1/4"
33" SHELF PLY	31 1/4" x 3/4" x 10 1/4"
36" SHELF PLY	34 1/4" x 3/4" x 10 1/4"
39" SHELF PLY	37 1/4" x 3/4" x 10 1/4"
45" SHELF PLY	43 1/4" x 3/4" x 10 1/4"
CW SHELF ADJ PLY	46 1/4" x 9 7/16" x 3/4"
<b>24" DEEP</b>	
36" SHELF 24DP PLY	34 1/4" x 3/4" x 22 1/8"
<b>UTILITY CABINET SHELVES</b>	
S1824	16 3/16" x 22 1/8" x 3/4"
S2424	22 3/16" x 22 1/8" x 3/4"
S3324	31 3/16" x 22 1/8" x 3/4"

HINGES	
Part Name	Description
HINGE FOL CC6WY 45DP	Full Overlay soft-close hinge with 6-way adjustment
HINGE SOL CC6WAY 45	Partial Overlay soft-close hinge with 6-way adjustment
HINGE CCFACEMOUNT 45	Soft-close hinge for oven cabinets
HINGE 170 FRAMED	Door-to-Frame hinge for BER, BSS or WER cabinet
HINGE ER	Door-to-Door hinge for BER, BSS or WER cabinet
HINGE SPACER SHIM	Shim used between Hinge and Face Frame, adds inward left/right adjustment (for use on hinges as needed)

GLIDES	
Part Name	Description
GLIDE FD CCL24	Left soft-close drawer glide for 24" deep cabinet
GLIDE FD CCR24	Right soft-close drawer glide for 24" deep cabinet
GLIDE FD CCL21	Left soft-close drawer glide for 21" deep cabinet
GLIDE FD CCR21	Right soft-close drawer glide for 21" deep cabinet

SCREWS	
Part Name	Description
SCREW BRACKET DDF	Screw to attach DDF BRACKET _OL bracket to drawer fronts (2 per bracket)
SCREW BRACKET DRB	Screw to attach DDF BRACKET _OL bracket to drawer bodies (2 per bracket)
SCREW GLIDE CC	Attach glide to front frame (1 per glide)
SCREW HINGE/DR	Screw for hinge to door
SCREW HINGE/FR	Screw for hinge to frame

CLIPS / BRACKETS	
Part Name	Description
BRACKET GL UNI FDI	Left/Right back bracket for drawer glides
CLIP LOCK 3/4BER 6PK	Locking shelf rest for BER cabinets - 6 pack
CLIP SHELF NP SPIN	Locking shelf clip for spin units
DDF BRACKET FOL	Full Overlay attachment bracket for wastebasket cabinet doors and drawer fronts
DDF BRACKET SOL	Partial Overlay attachment bracket for wastebasket cabinet doors and drawer fronts
DDF BRACKET CCAP FOL	Cover cap for DDF BRACKET FOL
DDF BRACKET CCAP SOL	Cover cap for DDF BRACKET SOL
DRB MOUNT CLIP L FD	Left release clip for DROT's and drawers
DRB MOUNT CLIP R FD	Right release clip for DROT's and drawers
SPACER GL BD FRT FG	Left/Right front drawer clip for bottom drawer on VDB__34H & DB__ cabinets

WOOD SPIN UNITS	
Part Name	Description
BSS36 SHELF WD NP PLY	Wood spin unit and plywood shelf for BSS36 WD

MISCELLANEOUS PARTS	
Part Name	Description
BUMPER CLEAR	Door bumper - Sheet of 4
BWBB18-2 FOL KIT	Wastebasket kit for FOL BWBB18-2
BWBB18-2 SOL KIT	Wastebasket kit for POL BWBB18-2
CLIP LOCK 3/4 4PK	Plastic clip locks used for base cabinet shelves - 4 Pack
DDF FASTENER	Installation clips for dummy drawer fronts - includes 2 sets and installation screws
GLIDE FRAME SPACER	Frame spacer for DROT glide
SHELF REST METAL 4PK	Metal shelf rests used for wall cabinet shelves - 4 Pack
TOUCHUP KIT	Touchup Kit includes a putty stick, touchup marker and a sheet of (4) bumpers
WASTEBASKET 35QT SLV	Silver 35-quart trashcan
WER SHELF PLY	Corner shelf for Wall Easy Reach cabinets

### INFORMATION

---

Please visit [resources.woodmarkcabinetry.com/woodmark-pro](https://resources.woodmarkcabinetry.com/woodmark-pro) for all your designer needs.

If you would like further clarification about any of our products or processes, please call your exclusive Simply Woodmark Pro Customer Care Department at 1-855-HDPRO44.

### CLAIMS

---

All warranty, missing, or damage claims for cabinets and accessories must be initiated with Simply Woodmark Pro's Customer Care Team. Please be ready with your order number and a detailed description of any issue present in the cabinets and accessories. Customer Care will determine at their discretion, to either replace defective cabinets and accessories or repair any defects in the cabinets and accessories.

### LOST OR DAMAGED NO-CHARGE REPLACEMENT PARTS

---

As with any manufactured and shipped product, transportation damage and defects may occur. Should the unexpected arise, we are here to help. Follow our lost or damaged replacement part process below to ensure your customer has everything they need for their project.

- Have your customer check-in and inspect all cabinetry upon delivery
- Report any shortages or missing items to our Customer Care team within 60 days of delivery
- Report any defects or shipping damages to our Customer Care team within 90 days of delivery
- When contacting Customer Care for a no-charge replacement, please ensure you have the original order number and a detailed description of the issue. We will work to get any replacements out to you as quickly as possible.

### CONTINUOUS IMPROVEMENT

---

In keeping with our policy of continuous product refinement, Simply Woodmark Pro reserves the right to change specifications in design and materials as conditions require.



## LIMITED LIFETIME WARRANTY

The manufacturer of Simply Woodmark Pro warrants to the original residential or commercial purchaser that all Simply Woodmark Pro cabinets and accessories, are free from defects in materials and workmanship for the following durations, subject to the limitations set forth below:

Original residential purchaser: An "original residential purchaser" is defined as any person who purchases the cabinetry for personal use in his or her private residence. The duration of this limited warranty begins at the date of delivery to the residence and extends until such time as that residential purchaser no longer resides at the residence. "Residential purchaser" extends to any person who owns and resides in the residence where the cabinetry is installed, for whom the cabinetry is purchased by a contractor, remodeler or other person/entity, except in commercial applications defined below.

Original commercial purchaser: An "original commercial purchaser" is any person or entity, including but not limited to landlords, leasing companies, contractors, remodelers, and private or public businesses, who purchases the cabinetry for installation and use in in any location that will be leased or used as a rental unit, or used for any other commercial or industrial application. The duration of this limited warranty is five years from the date of the product delivery to the location.

Proof of purchase is required. This limited warranty is expressly limited to repair or replacement of the cabinetry at the discretion of the manufacturer. This limited warranty does not include labor costs for removal, repairs, installation, or replacement.

This limited warranty does not cover defects, damage, or failure caused by improper handling, cleaning, installation, storage, assembly or disassembly, intentional damage, unauthorized product modifications and repairs, exposure to the elements including extreme humidity, moisture, or temperatures which may result in warping, splitting, or finish failure, accidental misuse, abuse, or negligence. Humidity levels in the home with cabinetry outside the range of 30-50% and temperature levels outside the range of 50-85°F are considered extreme.

## CLAIMS

All claims under this limited warranty must be submitted to the manufacturer and must specify the defects present in the cabinets and accessories. Photos or samples of the product may be required to determine coverage.

After the manufacturer has had an opportunity to inspect the cabinets and/or accessories, it will, at its discretion, ship at no cost to the customer, replacement cabinets and/or parts

Natural woods may vary in texture, color, and wood grain, and exhibit subtle changes as they age. For example, wood joints may develop visible cracking around the joint area and cabinet colors may darken or lighten over time.

Sunlight, smoke, moisture, household cleaners and other environmental conditions may cause materials to vary from their original color and/or to warp, split or crack. These variations are considered to be the nature of the material in relation to its environmental exposure and are not covered under this limited warranty.

THE MANUFACTURER OF SIMPLY WOODMARK PRO MAKES NO OTHER WARRANTIES OTHER THAN THOSE SET FORTH HEREIN AND ALL OTHER WARRANTIES ARE HEREBY DISCLAIMED.

THE IMPLIED WARRANTIES OF MERCHANTABILITY AND FITNESS FOR A PARTICULAR PURPOSE ARE LIMITED IN DURATION TO THE LENGTH OF THE LIMITED WARRANTY PERIOD.

THE LIMITED WARRANTIES SET FORTH HEREIN ARE LIMITED TO THE FIRST AND ORIGINAL BUYER AND ARE NOT TRANSFERABLE THEREAFTER. PROOF OF PURCHASE IS REQUIRED TO DETERMINE ELIGIBILITY.

EXCEPT AS PROVIDED IN THIS LIMITED WARRANTY AND TO THE MAXIMUM EXTENT PERMITTED BY LAW, THE MANUFACTURER OF SIMPLY WOODMARK PRO SHALL NOT BE LIABLE FOR INCIDENTAL, DIRECT, INDIRECT, CONSEQUENTIAL, OR SPECIAL DAMAGES TO THE PURCHASER OR TO ANY THIRD PARTY RESULTING FROM ANY BREACH OF WARRANTY OR CONDITION, OR UNDER ANY OTHER LEGAL THEORY, INCLUDING BUT NOT LIMITED TO: LOSS OF USE, LOST PROFITS, LOSS OF BUSINESS OPPORTUNITY, LOSS OF PROPERTY, OR OTHER ECONOMIC LOSSES. THE FOREGOING LIMITATION SHALL NOT APPLY TO PERSONAL INJURY CLAIMS OR ANY STATUTORY LIABILITY FOR INTENTIONAL AND GROSS NEGLIGENT ACTS AND/OR OMISSIONS.

necessary for repair. Products may require chemical or function testing to determine resolution of a warranty claim. Replacement products are subject to availability and may differ from those originally supplied.

Submit all claims to Simply Woodmark Pro at PO Box 1980, Winchester, VA 22604, partners@woodmark.com, OR 877-957-7278.

### CARE & CLEANING

---

While our finishing processes promote durability, care should be taken to preserve the original factory finish:

- Wipe up spills immediately
- Use mild soaps only
- Be sure to read all cabinet care guidelines and cleaning product instructions carefully

Use a touch-up stick to fill any scratches or nicks and remove excess residue, leaving a smooth surface. Touch-up kits are included with every sink base cabinet or can be ordered separately as needed.