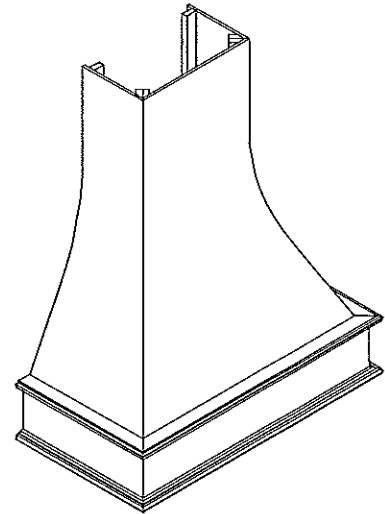




Omega National  
P R O D U C T S

## Artisan Range Hood System

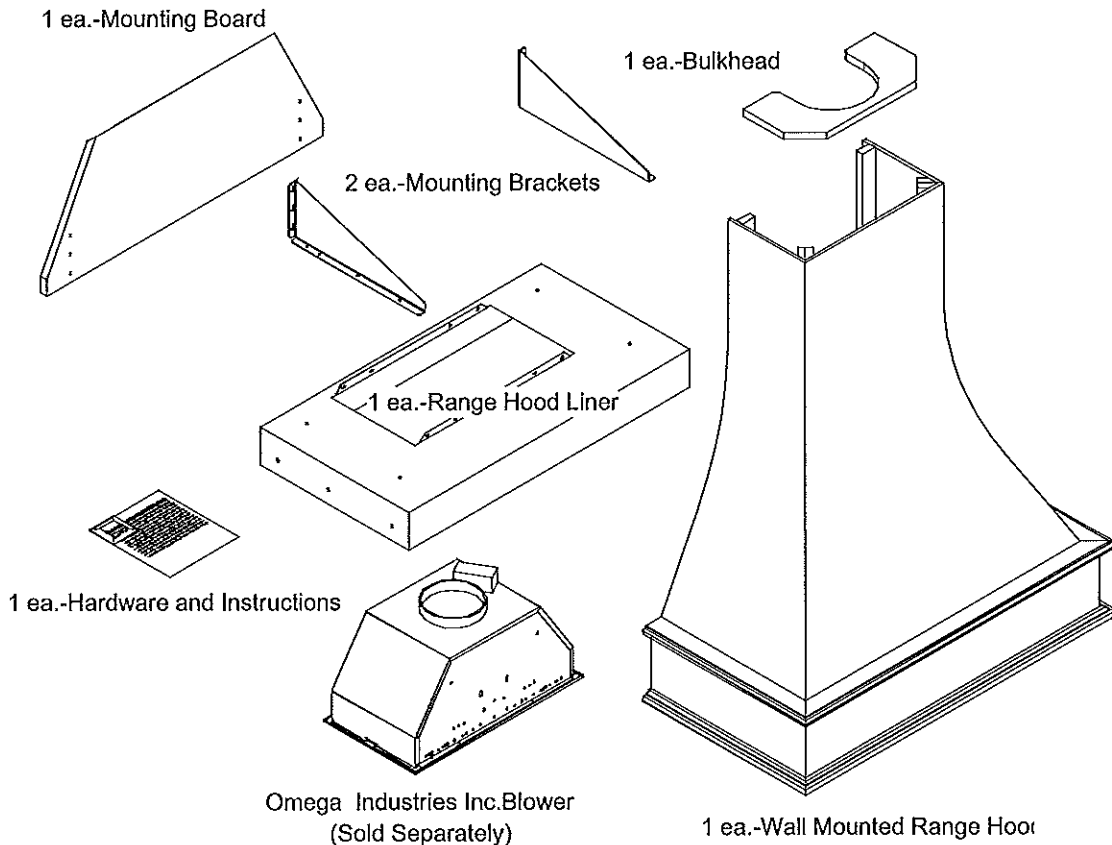


Patent Pending

### Important Notes

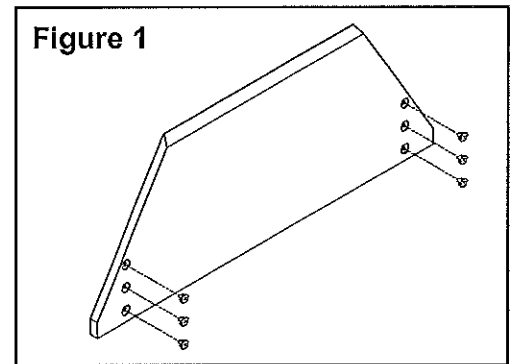
- Always read the instructions completely and carefully before beginning assembly.
- Remove and check contents for damage and/or missing parts. Keep the original cartons and packing materials, which are required for any authorized adjustment by our dealers.
- These instructions are for reference only. Make sure installation procedures comply with all applicable building codes in your area.

### Parts List

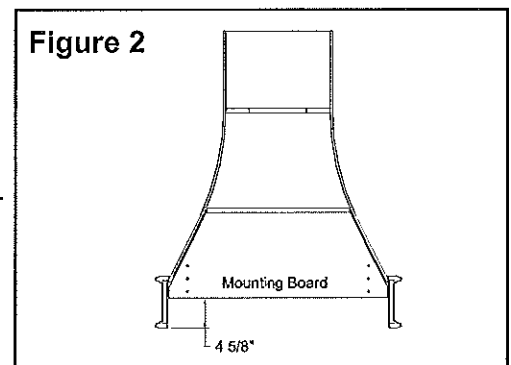


## Assembly Instructions

**Step 1:** Install 6 each "T" nuts into the back of the mounting plate into the counterbored holes. Hammer them flush to the surface (See figure 1).

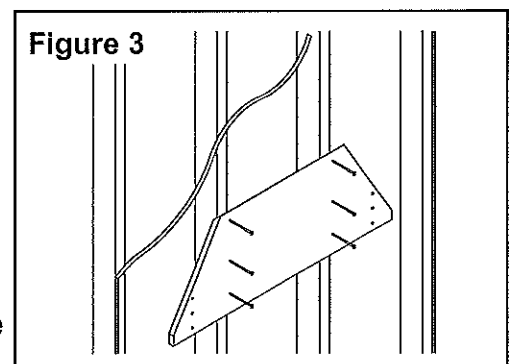


**Step 2:** Draw a level line on the wall centered where the Artisan Range Hood is to go, 4 5/8" above where the bottom of the Range Hood will be (See figure 2). A distance of 30 inches from the stove top to the wood hood is recommended. Check local building codes and regulations for final determination.

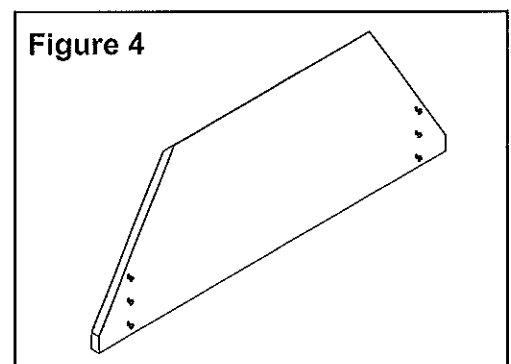


**Step 3:** Screw the mounting plate to the wall matching the bottom of the mounting plate to the line on the wall. Make sure to hit at least two studs and to use at least 6 screws of sufficient size and length for the application (See figure 3).

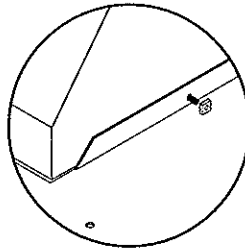
**Warning:** Failure to fasten this panel to studs or using the wrong screws may cause a failure of the mounting system and possible injury.



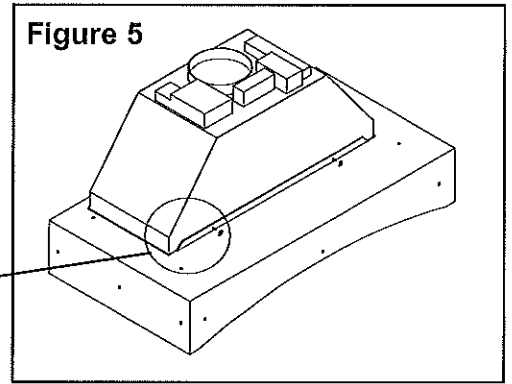
**Step 4:** Start 6 each 10-24 x 3/4" screws into the "T" nuts that were previously installed (See figure 4).



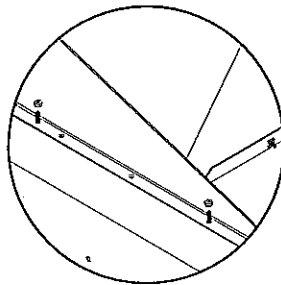
**Step 5:** Insert the Omega National Products Blower into the liner from below. Using the 4 holes in the side of the blower attach to the liner with 4 each 8-32 x 1/2" screws and square nuts (See figure 5).



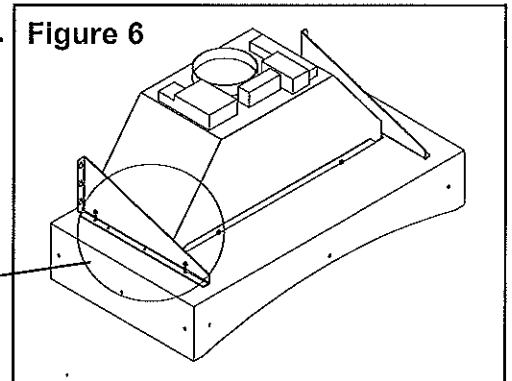
**Figure 5**



**Step 6:** Fasten the Metal Mounting brackets to the liner with 4 each 10-24 x 3/4" screws and nuts. Only hand tighten these at this time (See figure 6).

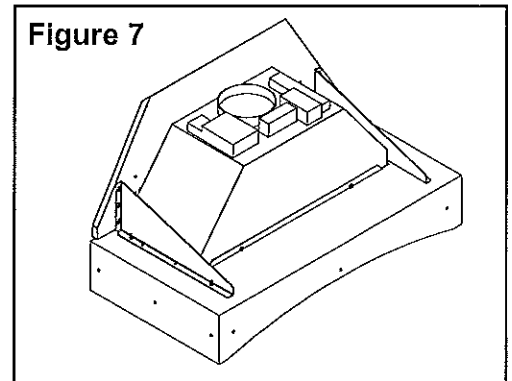


**Figure 6**



**Step 7:** Using help if necessary, lift the liner, Blower and mounting bracket assembly into position and hang on the screws extending from the mounting plate. Make sure the brackets are firmly seated into the key hole slot and then tighten all the screws (See figure 7).

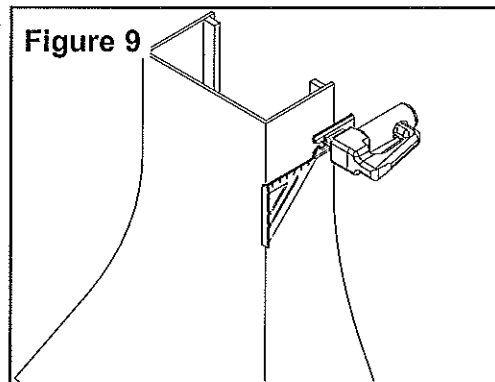
**Figure 7**



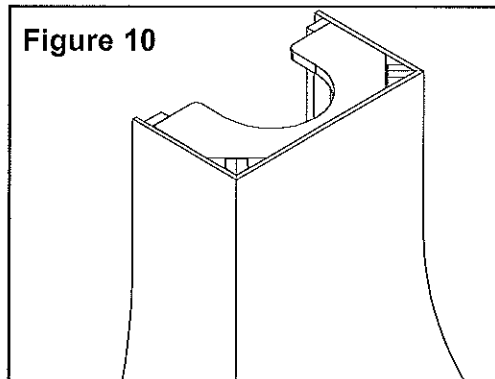
**Step 8:** Make all ventilation and electrical connections at this time. These must be done in accordance to all applicable building codes and requirements in your area. Duct pipe must be as close to the back wall as possible and should be 8 inch diameter or smaller.

**Step 9:** Trim the top of the Artisan Range Hood if necessary, leaving at least 7/8" between the top of the hood and the ceiling. (See figure 9).

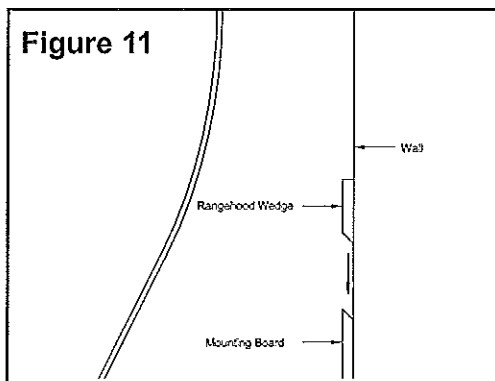
**CAUTION:** Staples may be encountered while trimming the hood.



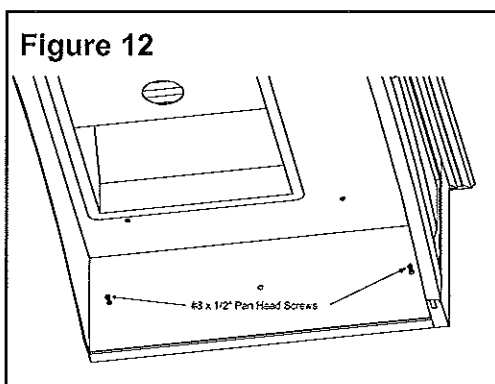
**Step 10:** Mount the Bulkhead into the Artisan Range Hood as additional support and backing for trim around the top of the Range Hood. (See figure 10).



**Step 11:** Carefully position the Wood Range Hood against the wall and slide down onto the wedges. The liner should be slightly above the wood (See figure 11).



**Step 12:** Fasten the metal liner to the Wood Range Hood at this time using 4 each #8 x 1/2" pan head screws (See figure 12).



**Omega National**

P R O D U C T S

1010 Rowe St. Elkhart, IN 46516  
(574) 295-5353 Fax (800) 367-3329  
www.omeganationalproducts.com

Form OME-075, 12/2008  
©Omega National Products