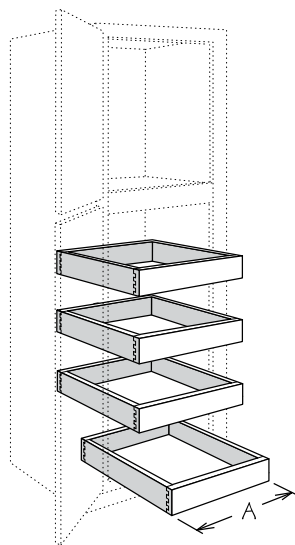
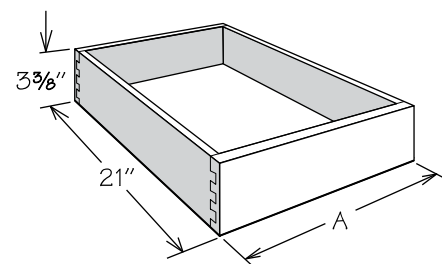


Tall Cabinet
Deep Roll Out Tray Kit or
4 Pack Deep Roll Out Tray Kit



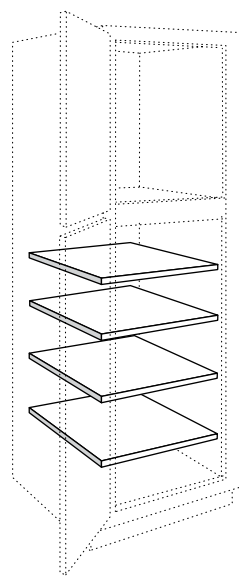
	A
DROT12	7 3/4"
DROT15	10 3/4"
DROT18	13 3/4"
DROT24	19 3/4"
DROT30	25 3/4"
DROT36	31 3/4"

Deep Roll Out Tray Kit	RD
DROT12	
DROT15	
DROT18	
DROT24	
DROT30	
DROT36	

4 Pack Deep Roll Out Tray Kit
DROT12-4K
DROT15-4K
DROT18-4K
DROT24-4K
DROT30-4K
DROT36-4K

- Field installation accessory
- Natural finish dovetail drawer with MDF bottom
- Includes Deep Roll Out Tray, all glide hardware and installation instructions

Tall Cabinet
Adjustable Shelf or 4 Pack Shelf Kit

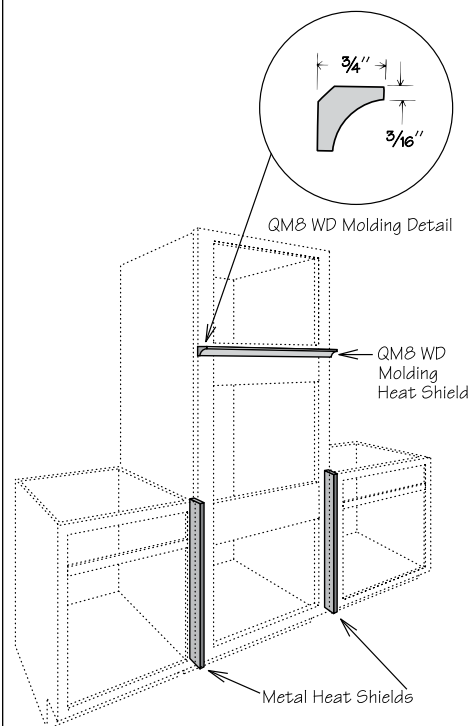


Adjustable Shelf	24" Deep	APC
■ S1212	■ S1224	■ MI
■ S1512	■ S1524	■ RD
■ S1812	■ S1824	
■ S2412	■ S2424	
■ S3612	S2724	
	■ S3024	
	S3324	
	■ S3624	

4 Pack Shelf Kit	12" Deep	24" Deep
■ SK1212	■ SK1224	
■ SK1512	■ SK1524	
■ SK1812	■ SK1824	
■ SK2412	■ SK2424	
■ SK3612	SK2724	
	■ SK3024	
	SK3324	
	■ SK3624	

- Field installation accessory
- 3/4" engineered wood
- Edge banded on front edge only
- CLIP LOCK shelf rests included

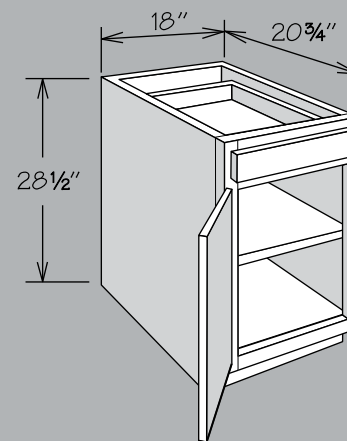
Heat Shield Kit



HSK

- Field installation accessory
- Heat Shield Kit (HSK) recommended for thermofoil-wrapped door styles
- Protects doors and drawer fronts from adjacent heat source (built-in ovens, under counter ovens, drop-in or free-standing ranges)
- Kit features:
 - Two 1/8" metal heat shields finished to match cabinet exterior
 - One strip of QM&B WD molding shield finished to match cabinet exterior

Desk Cabinets & Bookshelves



Dimensions

Width	Height	Depth
12" to 36"	28 1/2" to 96"	12" to 24" (Reduced Depth optional on select cabinets)

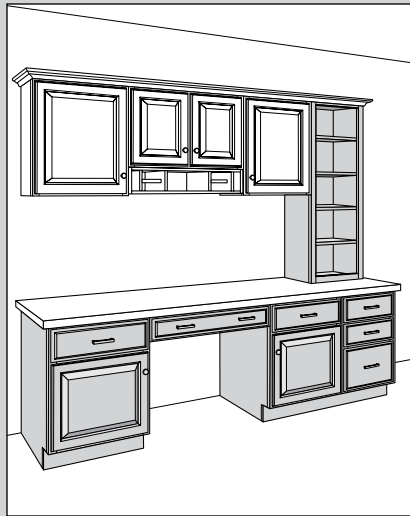
SKU Coding

DDO	18	21
Cabinet Type (e.g., DDO = Desk Door Cabinet)	width in inches	depth in inches

Construction Options & Modifications

- APC. All Plywood Construction
- CFO. Cabinet Front Only
- FE. Furniture Ends
- ID. Increased Depth (Bookshelves Only)
- PE. Plywood Ends
- RD. Reduced Depth
- RTK. Recessed Toe Kick

Desk Base Cabinets



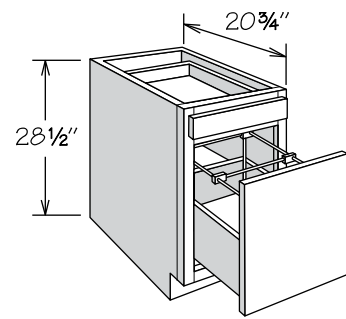
Desk Base cabinets are 12" to 24" wide, 28 1/2" high and 20 3/4" or 24" deep.

Cathedral doors are not available on Desk Base cabinets.

Single door Desk Base cabinets are hinged left and can be reversed in the field.

Inset toe kick construction requires BTK8 matching toe kick – must be ordered separately.

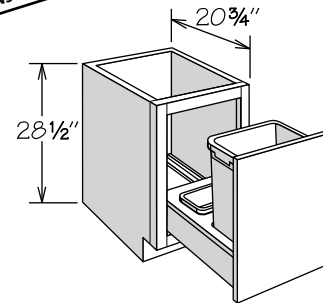
Desk File Pull Out
1 Drawer, 1 Door Pull Out
21" Deep



DFDC1821	APC
	FE
	PE
	RTK

- One standard top drawer
- File unit installs in a natural maple drawer body
- File unit packaged separately for field installation
- Accepts letter or legal-size hanging files

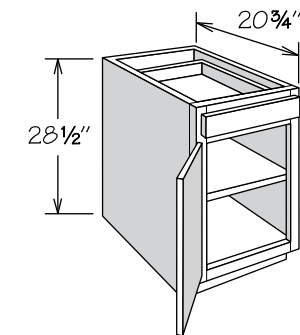
Desk Wastebasket Cabinet
1 Bottom Mount Wastebasket
21" Deep



DWBB1821	APC
	FE
	PE
	RTK

- Full-height door
- Features one silver plastic 35-quart capacity bin
- Wastebasket rests in a natural maple wood frame
- Feature heavy-duty 132-pound rated glides
- Includes bag storage tray at rear
- Decorative hardware strongly recommended
- Storage tray NOT dishwasher safe

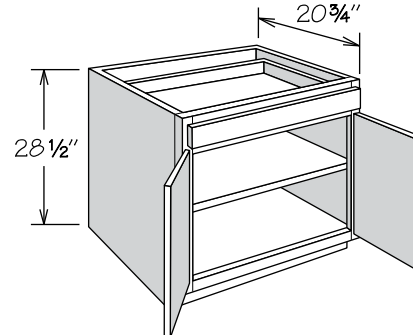
Desk Door Cabinet
1 Door, 1 Drawer
21" Deep



DDO1221	APC
DDO1521	CFO
DDO1821	FE
DDO2121	PE
	RD
	RTK

- One full-depth adjustable shelf
- May be accessorized with one Deep Roll Out Tray (DROT)
- Recommend mounting Deep Roll Out Tray on cabinet floor

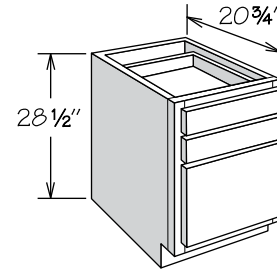
Desk Door Cabinet
2 Doors, 1 Drawer
21" Deep



DDO2421	APC
BUTT	CFO
	FE
	PE
	RD
	RTK

- One full-depth adjustable shelf
- May be accessorized with one Deep Roll Out Tray (DROT)
- Recommend mounting Deep Roll Out Tray on cabinet floor

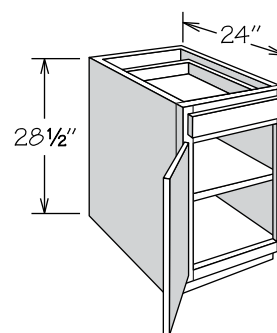
Desk Drawer Cabinet
3 Drawers
21" Deep



DDR1221	APC
DDR1521	CFO
DDR1821	FE
DDR2121	PE
DDR2421	RD
	RTK

- One large and two standard drawers
- Large drawer cannot be used as a file drawer

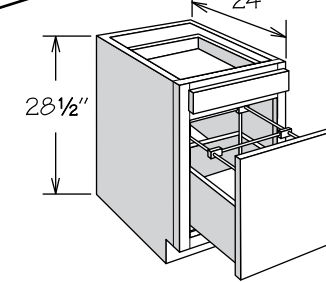
Desk Door Cabinet
1 Door, 1 Drawer
24" Deep



DDO1224	APC
DDO1524	CFO
DDO1824	FE
DDO2124	PE
	RD
	RTK

- One full-depth adjustable shelf
- May be accessorized with one Deep Roll Out Tray (DROT)
- Recommend mounting Deep Roll Out Tray on cabinet floor

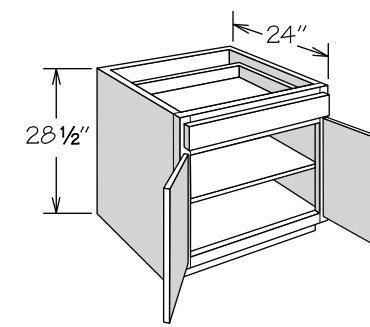
Desk File Pull Out
1 Drawer, 1 Door Pull Out
24" Deep



DFDC1824	APC
	FE
	PE
	RTK

- One standard top drawer
- File unit installs in a natural maple drawer body
- File unit packaged separately for field installation
- Accepts letter or legal-size hanging files

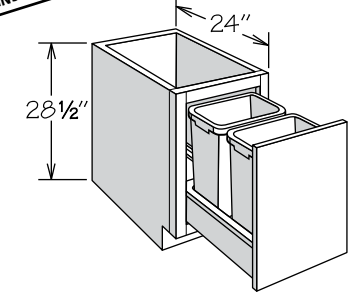
Desk Door Cabinet
2 Doors, 1 Drawer
24" Deep



DDO2424	APC
BUTT	CFO
	FE
	PE
	RD
	RTK

- One full-depth adjustable shelf
- May be accessorized with one Deep Roll Out Tray (DROT)
- Recommend mounting Deep Roll Out Tray on cabinet floor

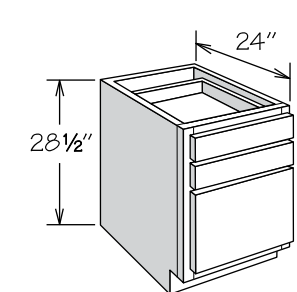
Desk Wastebasket Cabinet
2 Bottom Mount Wastebaskets
24" Deep



DWBB1824	APC
	FE
	PE
	RTK

- Full-height door
- Features two silver plastic 35-quart capacity bins
- Wastebasket rests in a natural maple wood frame
- Features heavy-duty 132-pound rated glides
- Decorative hardware strongly recommended

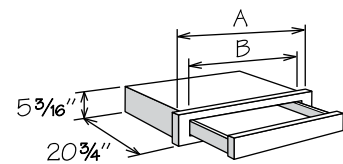
Desk Drawer Cabinet
3 Drawers
24" Deep



DDR1224	APC
DDR1524	CFO
DDR1824	FE
DDR2124	PE
DDR2424	RD
	RTK

- One large and two standard drawers
- Large drawer cannot be used as a file drawer

Kneehole Drawer Cabinet



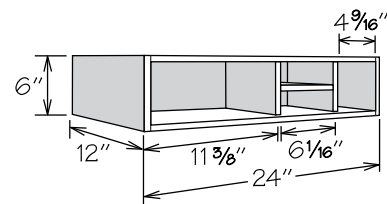
	A	B	Max. Trim
KDC27/21	27"	17 3/4"	21" (3" each side)
KDC33/27	33"	23 3/4"	27" (3" each side)
KDC36/33	36"	29 3/4"	33" (1 1/2" each side)

KDC27/21 KDC33/27 KDC36/33	RD
----------------------------------	----

- Designed for Desk or Vanity installation
- Drawer front complements door style
- Field trimmable in depth to 18" or Reduced Depth
Option is available to a minimum of 12"
- Field trimmable in height to 4 3/4"

Shelf Under Cabinet Organizer

24" Wide

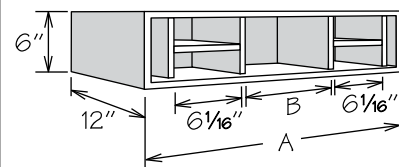


SUCO24

- SUCO24 installs below 24" wide Wall cabinet
- Features 1/2" veneered engineered wood finished to match cabinet box exterior
- Flush sides with no face frame or 1/4" reveals
- Opening is 5" high

Shelf Under Cabinet Organizer

27" & 30" Wide



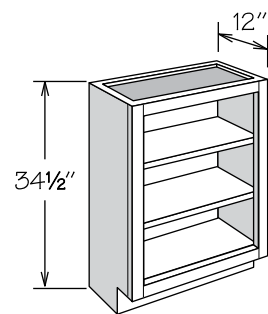
	A	B
SUCO27	27"	8 7/8"
SUCO30	30"	11 3/8"

SUCO27 SUCO30

- SUCO27 installs below 27" wide Wall cabinet
- SUCO30 installs below 30" wide Wall cabinet
- Features 1/2" veneered engineered wood finished to match cabinet box exterior
- Flush sides with no face frame or 1/4" reveals
- Opening is 5" high

Base Bookshelf

34 1/2" High

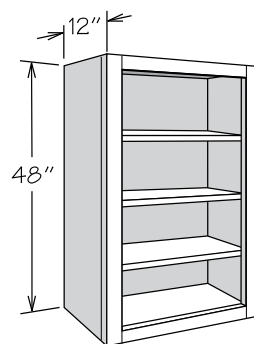


BSPLY2434	FE
	ID
	RD
	RTK

- All Plywood Construction standard
- Interior finished to match cabinet box exterior
- Features two adjustable 3/4" plywood shelves
- Shelving packaged separately for field installation

Wall Bookshelves

48" High

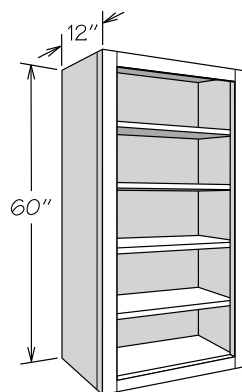


BSPLY1848 BSPLY2448 BSPLY3048 BSPLY3648	FE
	ID
	RD
	RTK

- All Plywood Construction standard
- Interior finished to match cabinet box exterior
- Features three adjustable 3/4" plywood shelves
- Shelving packaged separately for field installation

Wall Bookshelves

60" High

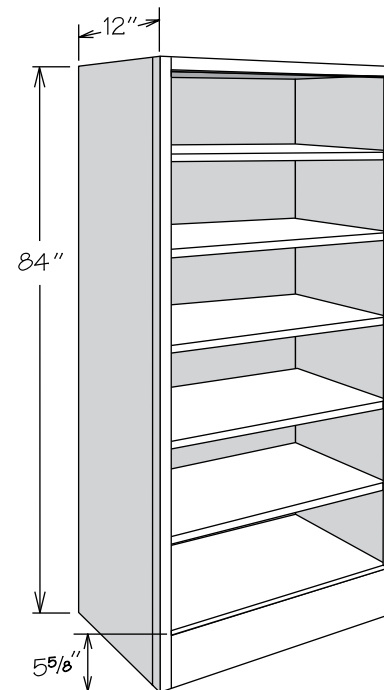


BSPLY1860 BSPLY2460 BSPLY3060 BSPLY3660	FE
	ID
	RD
	RTK

- All Plywood Construction standard
- Interior finished to match cabinet box exterior
- Features four adjustable 3/4" plywood shelves
- Shelving packaged separately for field installation

Tall Bookshelves

84" High



BSPLY1884 BSPLY2484 BSPLY3084 BSPLY3684	FE
	ID
	RD
	RTK

- All Plywood Construction standard
- Interior finished to match cabinet box exterior
- Flush furniture toe kick
- Features five adjustable 3/4" plywood shelves
- Shelving packaged separately for field installation

Tall Bookshelves

90" High



BSPLY1890 BSPLY2490 BSPLY3090 BSPLY3690	FE
	ID
	RD
	RTK

- All Plywood Construction standard
- Interior finished to match cabinet box exterior
- Flush furniture toe kick
- Features six adjustable 3/4" plywood shelves
- Shelving packaged separately for field installation

Tall Bookshelves

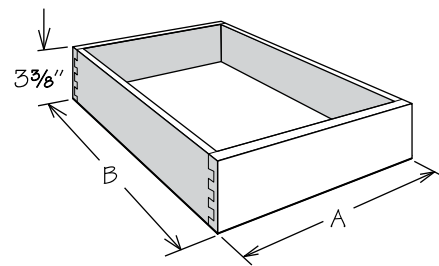
93" & 96" High



BSPLY1893 BSPLY2493 BSPLY3093 BSPLY3693	BSPLY1896 BSPLY2496 BSPLY3096 BSPLY3696	FE
		ID
		RD
		RTK

- All Plywood Construction standard
- Interior finished to match cabinet box exterior
- Flush furniture toe kick shipped unattached
- Features six adjustable 3/4" plywood shelves
- Shelving packaged separately for field installation

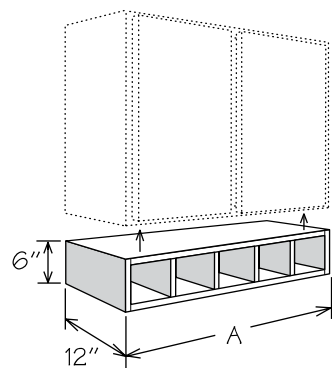
Deep Roll Out Tray Kit



		RD	A	B
DROT12	DROT1221		7 3/4"	21"
DROT15	DROT1521		10 3/4"	21"
DROT18	DROT1821		13 3/4"	21"
DROT21	DROT2421		16 3/4"	21"
DROT24			19 3/4"	21"
			DROT1221	7 3/4"
			DROT1521	10 3/4"
			DROT1821	13 3/4"
			DROT2421	19 3/4"

- Field installation accessory
- Includes tray, all glide hardware and installation instructions

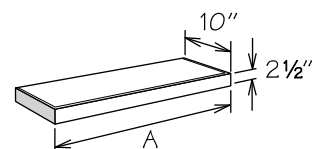
Storage Cube



	A
SC30	30"
SC36	36"
SC42	42"

- Designed for horizontal or vertical installation
- Vertical installation may require the use of fillers and/or molding which must be ordered separately
- Opening size is 5" wide x 4 1/2" high (horizontal) which will accommodate various storage needs
- Features 3/4" veneered engineered wood finished to match cabinet box exterior
- Interior finished to match cabinet box exterior
- Flush sides with no face frame or 1/4" reveals
- Cannot be retrofitted with Spice Drawer cabinet drawers

Floating Shelf



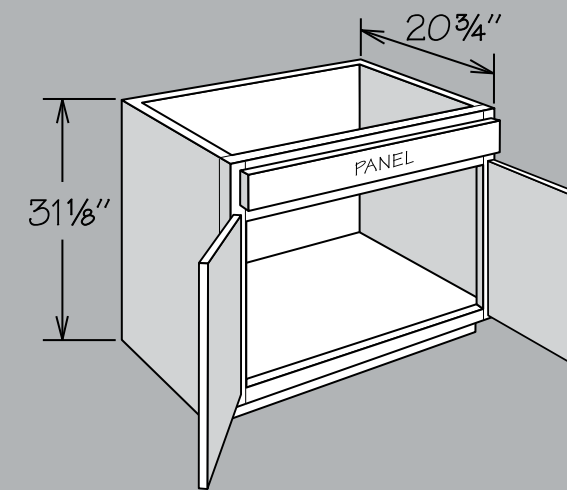
SKU	A	Max. Load
FLSH2410	24"	30 lbs.
FLSH3010	30"	37 lbs.
FLSH3610	36"	45 lbs.
FLSH4210	42"	52 lbs.
FLSH4810	48"	60 lbs.

FLSH2410
FLSH3010
FLSH3610
FLSH4210
FLSH4810

- Not trimmable
- Finished on all sides to match cabinet box exterior
- Features veneered engineered wood top and bottom and solid wood front and sides
- When installed between two cabinets, Furniture Ends (FE) is recommended for adjacent cabinets
- Must be secured to studs in wall
- Installation instructions, mounting brackets and screws included

Construction Options (see page 52): ■ = Available for selected SKUs

Vanity Cabinets



Dimensions

Width	Height	Depth
12" to 60"	31 1/8" to 84"	18" to 20 3/4" (Reduced Depth optional on select cabinets)

SKU Coding

VSB	36	BUTT
Cabinet Type (e.g., VSB=Vanity Sink Base)	width in inches	Door Type

Construction Options & Modifications

APC	All Plywood Construction
CFO	Cabinet Front Only
FE	Furniture Ends
MI	Matching Interior
PE	Plywood Ends
RD	Reduced Depth
RTK	Recessed Toe Kick

Specialty Door (SD) Cabinet Options

AFBA	Aluminum Frame - Brushed Aluminum
AFVI	Aluminum Frame - Vintage Iron
HFD	Horizontal Frame Door
MFD	Mullion Frame Door
OFD	Open Frame Door
PFD	Prairie Frame Door

Designer Resources Link: resources.woodmarkcabinetry.com

American Woodmark Designer's Choice Specification Guide