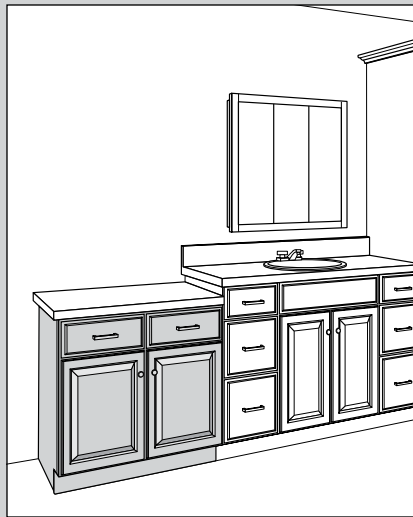


31 1/8" Standard Height Vanity Cabinets



Standard Height Vanity cabinets are 31 1/8" high, 12" to 60" wide and 18" or 20 3/4" deep.

Cathedral doors are not available on Standard Height Vanity Base cabinets.

Single door Standard Height Vanity cabinets are hinged left and can be reversed in the field.

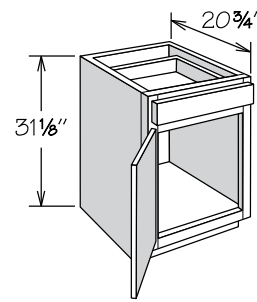
Inset toe kick construction requires BTK8 matching toe kick - must be ordered separately.



Refer to sink manufacturer's specifications for adequate clearance and required installation materials.

When placing a Standard Height Vanity Sink Base cabinet in a design, select a cabinet at least 3" wider than the sink to allow for installation clips. Review manufacturer's specifications for dimensions and adequate clearance requirements.

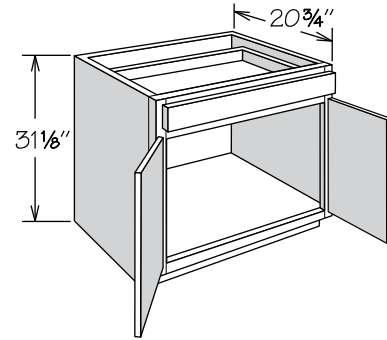
Vanity Base
1 Door, 1 Drawer • 31 1/8" High



VB12	APC
VB15	CFO
VB18	FE
VB21	PE
	RD
	RTK

- No shelf
- Not drilled for adjustable shelf

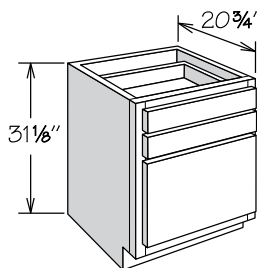
Vanity Base
2 Butt Doors, 1 Drawer • 31 1/8" High



VB24 BUTT	APC
VB27 BUTT	CFO
VB30 BUTT	FE
VB33 BUTT	PE
VB36 BUTT	RD
	RTK

- No shelf
- Not drilled for adjustable shelf

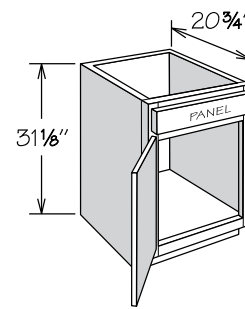
Vanity Drawer Base
3 Drawers • 31 1/8" High



VDB12	APC
VDB15	CFO
VDB18	FE
VDB21	PE
VDB24	RD
	RTK

- One large and two standard drawers

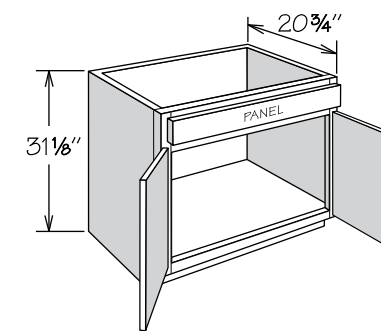
Vanity Sink Base
1 Door, 1 Panel • 31 1/8" High



VS15	APC
VS18	CFO
VS21	FE
	PE
	RD
	RTK

- No shelf
- Subtract 1 1/2" from depth and width for available sink bowl opening

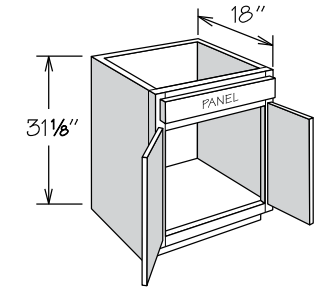
Vanity Sink Base
2 Butt Doors, 1 Panel • 31 1/8" High



VS24 BUTT	APC
VS27 BUTT	CFO
VS30 BUTT	FE
VS33 BUTT	PE
VS36 BUTT	RD
	RTK

- No shelf
- Subtract 1 1/2" from depth and width for available sink bowl opening

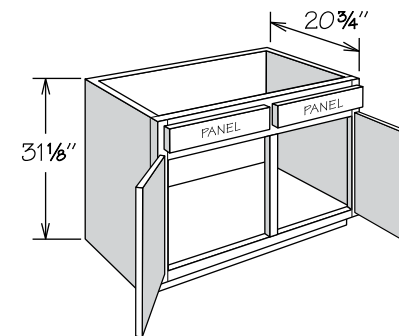
Vanity Sink Base – 18" Deep
2 Butt Doors, 1 Panel • 31 1/8" High



VS2418 BUTT	APC
VS3018 BUTT	CFO
VS3618 BUTT	FE
	PE
	RD
	RTK

- No shelf
- Subtract 1 1/2" from depth and width for available sink bowl opening

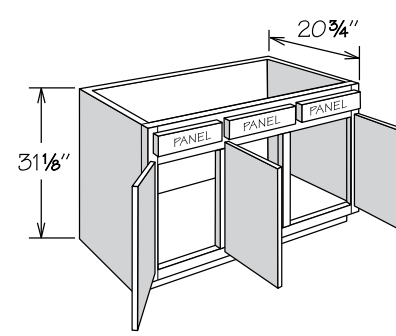
Vanity Sink Base
2 Doors, 2 Panels • 31 1/8" High



VS42	APC
	CFO
	FE
	PE
	RD
	RTK

- No shelf
- Subtract 1 1/2" from depth and width for available sink bowl opening

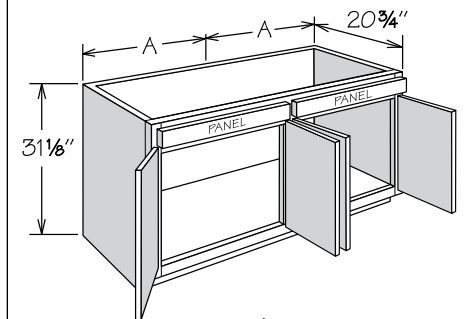
Vanity Sink Base
3 Doors, 3 Panels • 31 1/8" High



VS48	APC
	CFO
	FE
	PE
	RD
	RTK

- No shelf
- Subtract 1 1/2" from depth and width for available sink bowl opening
- Hinged as shown – center door may be reversed in field

Vanity Sink Base
4 Butt Doors, 2 Panels • 31 1/8" High



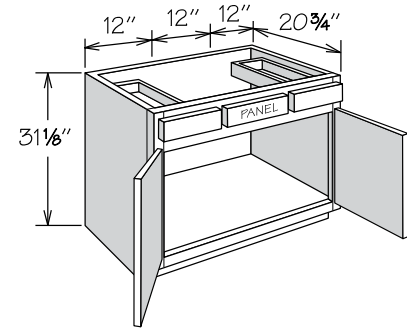
	A
VS54 BUTT	27"
VS60 BUTT	30"

VS54 BUTT	APC
VS60 BUTT	CFO
	FE
	PE
	RD
	RTK

- No shelf
- Subtract 1 1/2" from depth and dimension A for available sink bowl openings

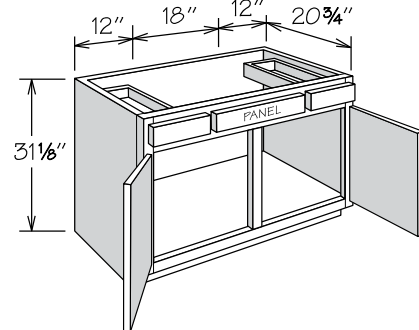
Vanity Sink Base

2 Butt Doors, 2 Drawers • 31 1/8" High



Vanity Sink Base

2 Doors, 2 Drawers • 31 1/8" High



VAN36 BUTT	APC
	CFO
	FE
	PE
	RTK

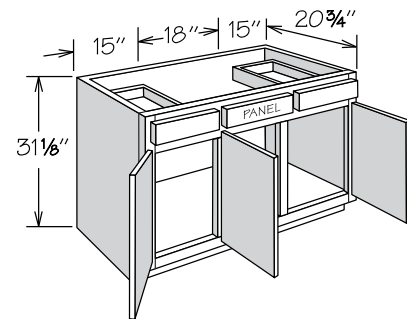
VAN42	APC
	CFO
	FE
	PE
	RTK

- No shelf
- Top drawer on each side of sink bowl opening
- Subtract 1 1/2" from depth for available sink bowl opening
- Maximum sink opening is 18"

- No shelf
- Top drawer on each side of sink bowl opening
- Subtract 1 1/2" from depth for available sink bowl opening
- Maximum sink opening is 21"

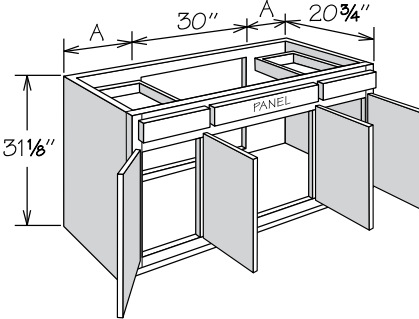
Vanity Sink Base

3 Doors, 2 Drawers • 31 1/8" High



Vanity Sink Base

4 Doors, 2 Drawers • 31 1/8" High



	A
VAN54 BUTT	12"
VAN60 BUTT	15"

VAN48	APC
	CFO
	FE
	PE
	RTK

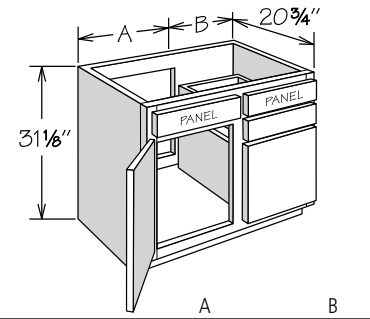
VAN54 BUTT VAN60 BUTT	APC
	CFO
	FE
	PE
	RTK

- No shelf
- Top drawer on each side of sink bowl opening
- Subtract 1 1/2" from depth for available sink bowl opening
- Hinged as shown – center door may be reversed in field
- Maximum sink opening is 21"

- No shelf
- Features Butt doors at sink bowl opening
- Top drawer on each side of sink bowl opening
- Subtract 1 1/2" from depth for available sink bowl opening
- Maximum sink opening is 33"
- Open area for plumbing access

Vanity Combo Sink Base

1 Door, 2 Drawers • 31 1/8" High



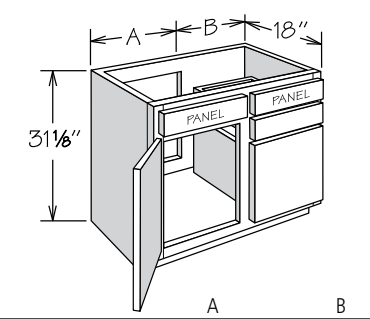
	A	B
VSDB24	12"	12"
VSDB27	15"	12"
VSDB30	18"	12"
VSDB33	21"	12"
VSDB36	21"	15"

VSDB24 VSDB27 VSDB30	VSDB33 VSDB36	APC
		CFO
		FE
		PE
		RTK

- No shelf
- Open area for plumbing access
- Allow for plumbing placement to clear drawers
- Drawers available on right or left side (please specify)
- Cabinet shown is right indicating drawers on the right side of the cabinet
- Subtract 1 1/2" from depth and overall cabinet width for available sink bowl opening

Vanity Combo Sink Base 18" Deep

1 Door, 2 Drawers • 31 1/8" High



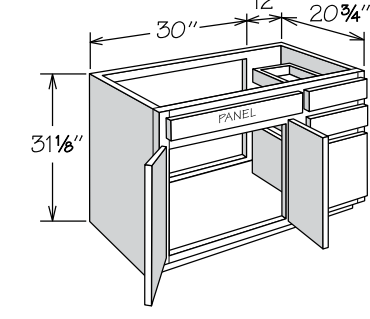
	A	B
VSDB2418	12"	12"
VSDB2718	15"	12"
VSDB3018	18"	12"
VSDB3318	21"	12"
VSDB3618	21"	15"

VSDB2418 VSDB2718 VSDB3018	VSDB3318 VSDB3618	APC
		CFO
		FE
		PE
		RTK

- No shelf
- Open area for plumbing access
- Allow for plumbing placement to clear drawers
- Drawers available on right or left side (please specify)
- Cabinet shown is right indicating drawers on the right side of the cabinet
- Subtract 1 1/2" from depth and overall cabinet width for available sink bowl opening

Vanity Combo Sink Base

2 Butt Doors, 3 Drawers • 31 1/8" High

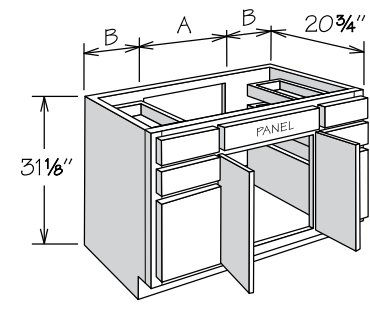


VSDB42 BUTT	APC
	CFO
	FE
	PE
	RTK

- No shelf
- Open area for plumbing access
- Allow for plumbing placement to clear drawers
- Drawers available on right or left side (please specify)
- Cabinet shown is right indicating drawers on the right side of the cabinet
- Subtract 1 1/2" from depth and 30" dimension for available sink bowl opening
- Requires off-center sink bowl opening

Vanity Combo Sink Base

2 Butt Doors, 6 Drawers • 31 1/8" High



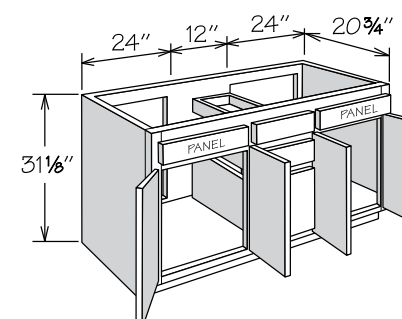
	A	B
VSDB48D BUTT	24"	12"
VSDB54D BUTT	24"	15"
VSDB60D BUTT	30"	15"

VSDB48D BUTT VSDB54D BUTT VSDB60D BUTT	APC
	CFO
	FE
	PE
	RTK

- No shelf
- Open area for plumbing access
- Subtract 1 1/2" from depth and dimension A for available sink bowl opening

Vanity Combo Sink Base

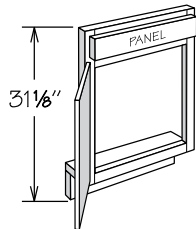
4 Butt Doors, 3 Drawers • 31 1/8" High



VSDB60C BUTT	APC
	CFO
	FE
	PE
	RTK

- No shelf
- Open areas for plumbing access
- Subtract 1 1/2" from depth and each 24" dimension for available sink bowl openings

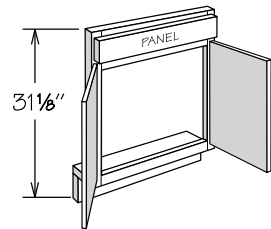
Vanity Sink Front
1 Door, 1 Panel • 31 1/8" High



VSF21

- Vanity Sink Front not trimmable
- Order floors and returns separately (trimming may be required) – refer to Panel Section for availability

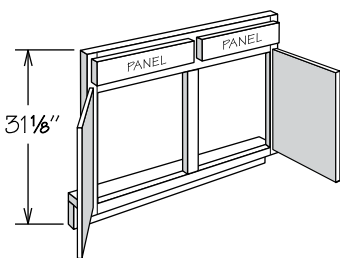
Vanity Sink Front
2 Butt Doors, 1 Panel • 31 1/8" High



VSF24 BUTT
VSF30 BUTT
VSF36 BUTT

- Vanity Sink Front not trimmable
- Order floors and returns separately (trimming may be required) – refer to Panel Section for availability

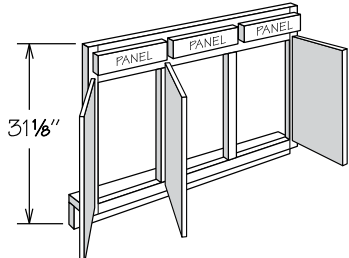
Vanity Sink Front
2 Doors, 2 Panels • 31 1/8" High



VSF42

- Vanity Sink Front not trimmable
- Order floors and returns separately (trimming may be required) – refer to Panel Section for availability

Vanity Sink Front
3 Doors, 3 Panels • 31 1/8" High



VSF48

- Vanity Sink Front not trimmable
- Hinged as shown – center door may be reversed in field
- Order floors and returns separately (trimming may be required) – refer to Panel Section for availability

**34 1/2" Base Height
Vanity Cabinets**



Base Height Vanity cabinets are 34 1/2" high, 12" to 60" wide and 18" or 20 3/4" deep.

Cathedral doors are not available on Base Height Vanity Base cabinets.

Single door Base Height Vanity cabinets are hinged left and can be reversed in the field.

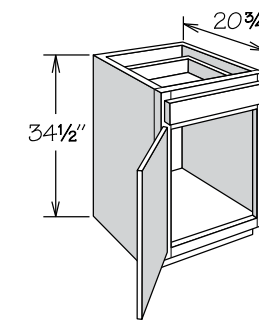
Inset toe kick construction requires BTK8 matching toe kick - must be ordered separately.



Check sink manufacturer's specifications for adequate clearance and required installation materials.

When placing a Base Height Vanity Sink Base cabinet in a design, select a cabinet at least 3" wider than the sink to allow for installation clips. Review manufacturer's specifications for dimensions and adequate clearance requirements.

Vanity Base
1 Door, 1 Drawer • 34 1/2" High

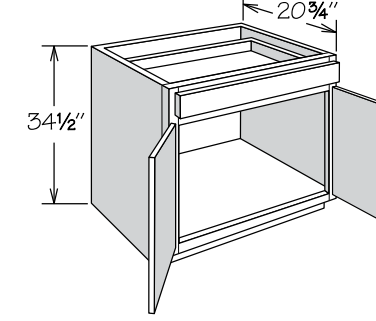


VB1234H
VB1534H
VB1834H
VB2134H

- APC
- CFO
- FE
- PE
- RD
- RTK

- No shelf
- Not drilled for adjustable shelf

Vanity Base
2 Butt Doors, 1 Drawer • 34 1/2" High

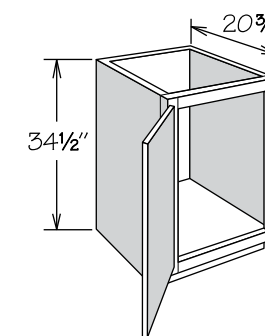


VB2434H BUTT
VB2734H BUTT
VB3034H BUTT
VB3334H BUTT
VB3634H BUTT

- APC
- CFO
- FE
- PE
- RD
- RTK

- No shelf
- Not drilled for adjustable shelf

Vanity Base
1 Full-Height Door • 34 1/2" High

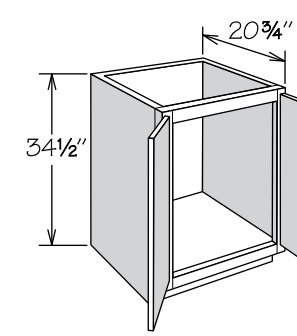


VB1234H FH
VB1534H FH
VB1834H FH
VB2134H FH

- APC
- CFO
- FE
- PE
- RD
- RTK

- Full-height door
- No shelf
- Not drilled for adjustable shelf

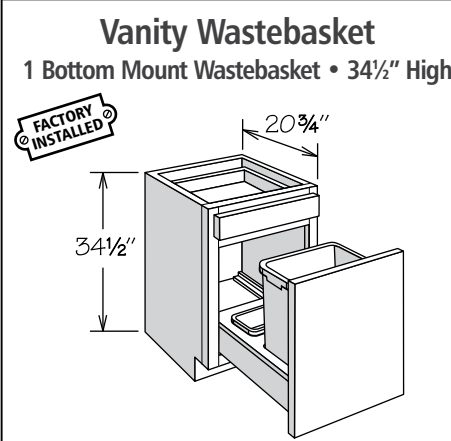
Vanity Base
2 Full-Height Butt Doors • 34 1/2" High



VB2434H BUTT FH
VB3034H BUTT FH
VB3634H BUTT FH

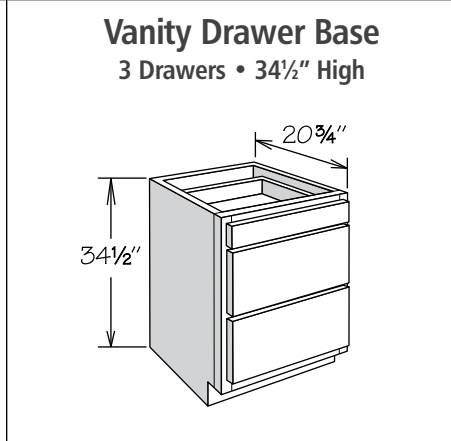
- APC
- CFO
- FE
- PE
- RD
- RTK

- Full-height doors
- No shelf
- Not drilled for adjustable shelf



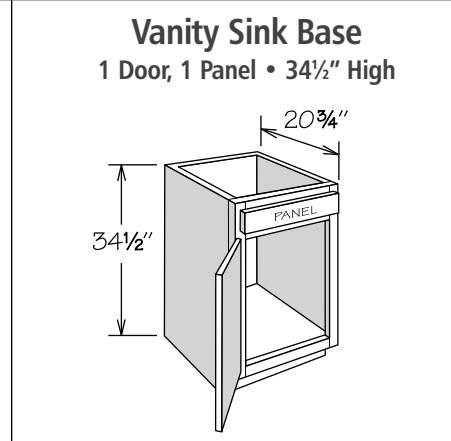
VWBB1834H	APC
	FE
	PE
	RTK

- Features one silver plastic 35-quart capacity bin
- Wastebasket rests in a natural maple wood frame
- Includes bag storage tray at rear
- Decorative hardware strongly recommended
- Storage tray NOT dishwasher safe
- Features heavy-duty 132-pound rated glides



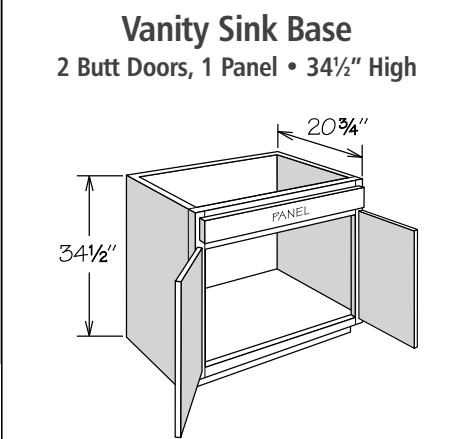
VDB1234H	APC
VDB1534H	CFO
VDB1834H	FE
VDB2134H	PE
VDB2434H	RD
	RTK

- One standard and two large drawers



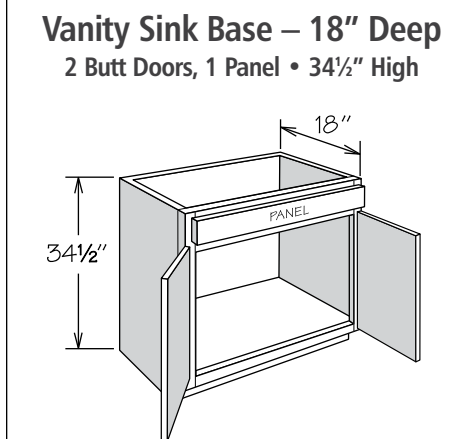
VSB1534H	APC
VSB1834H	CFO
VSB2134H	FE
	PE
	RD
	RTK

- No shelf
- Subtract 1½" from depth and width for available sink bowl opening



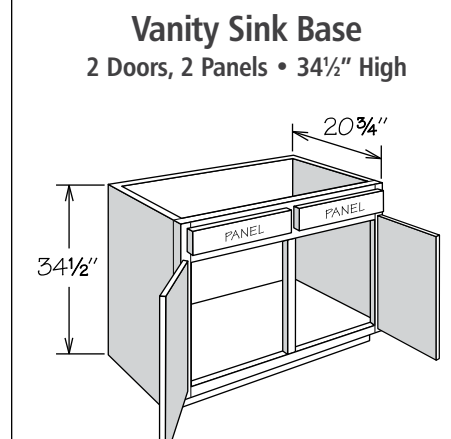
VSB2434H BUTT	APC
VSB2734H BUTT	CFO
VSB3034H BUTT	FE
VSB3334H BUTT	PE
VSB3634H BUTT	RD
	RTK

- No shelf
- Subtract 1½" from depth and width for available sink bowl opening



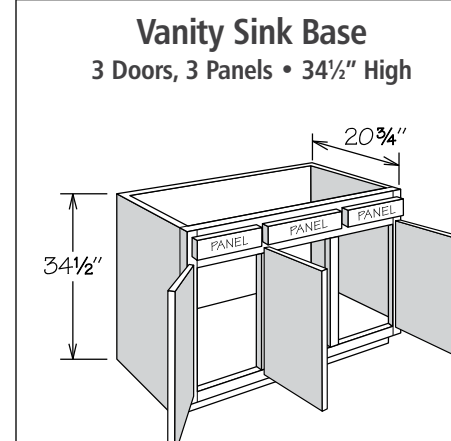
VSB241834H BUTT	APC
VSB301834H BUTT	CFO
VSB361834H BUTT	FE
	PE
	RD
	RTK

- No shelf
- Subtract 1½" from depth and width for available sink bowl opening



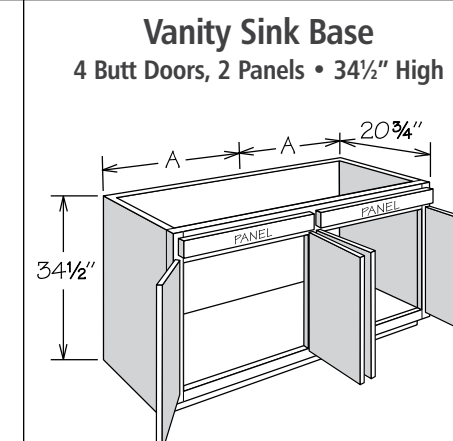
VSB4234H	APC
	CFO
	FE
	PE
	RD
	RTK

- No shelf
- Subtract 1½" from depth and width for available sink bowl opening



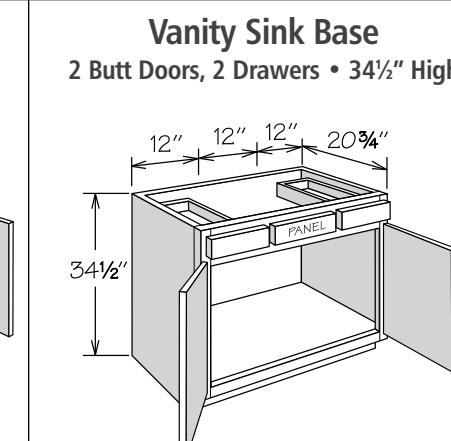
VSB4834H	APC
	CFO
	FE
	PE
	RD
	RTK

- No shelf
- Subtract 1½" from depth and width for available sink bowl opening
- Hinged as shown – center door may be reversed in field



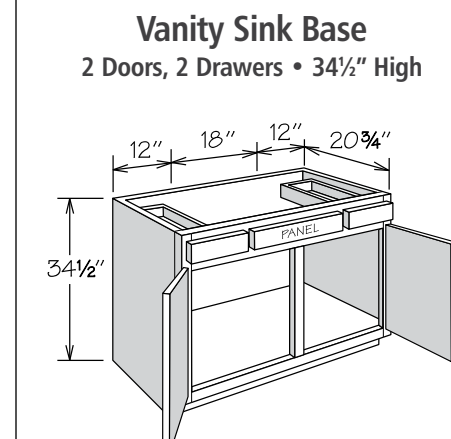
VSB5434H BUTT	A	27"
VSB6034H BUTT		30"

- No shelf
- Subtract 1½" from depth and dimension A for available sink bowl openings



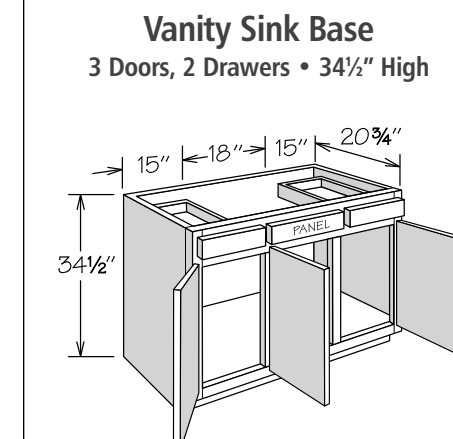
VAN3634H BUTT	APC
	CFO
	FE
	PE
	RD
	RTK

- No shelf
- Top drawer on each side of sink bowl opening
- Subtract 1½" from depth for available sink bowl opening
- Maximum sink opening is 18"



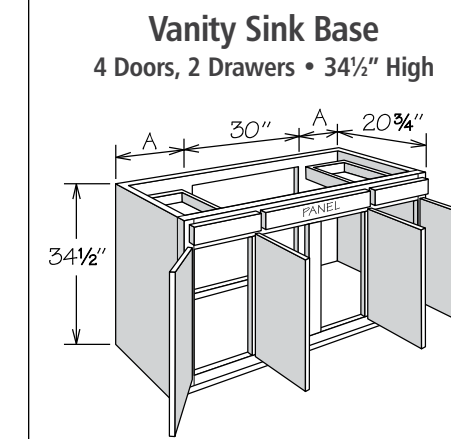
VAN4234H	APC
	CFO
	FE
	PE
	RD
	RTK

- No shelf
- Top drawer on each side of sink bowl opening
- Subtract 1½" from depth for available sink bowl opening
- Maximum sink opening is 21"



VAN4834H	APC
	CFO
	FE
	PE
	RD
	RTK

- No shelf
- Top drawer on each side of sink bowl opening
- Subtract 1½" from depth for available sink bowl opening
- Maximum sink opening is 21"
- Hinged as shown – center door may be reversed in field



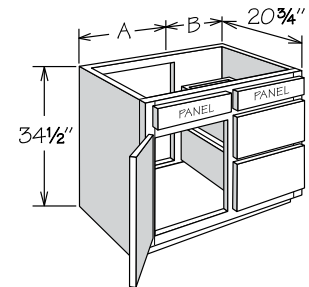
VAN5434H BUTT	A	12"
VAN6034H BUTT		15"

- Features Butt doors at sink bowl opening
- No shelf
- Top drawer on each side of sink bowl opening
- Subtract 1½" from depth for available sink bowl opening
- Maximum sink opening is 33"
- Open area for plumbing access

VANITY CABINETS

VANITY CABINETS

Vanity Combo Sink Base
1 Door, 2 Drawers • 34½" High

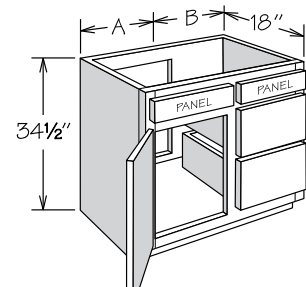


	A	B
VSDB2434H	12"	12"
VSDB2734H	15"	12"
VSDB3034H	18"	12"
VSDB3334H	21"	12"
VSDB3634H	21"	15"

VSDB2434H	APC
VSDB2734H	CFO
VSDB3034H	FE
VSDB3334H	PE
VSDB3334H	RD
VSDB3634H	RTK

- No shelf
- Open area for plumbing access
- Allow for plumbing placement to clear drawers
- Drawers available on right or left side (please specify)
- Cabinet shown is right indicating drawers on the right side of the cabinet
- Subtract 1½" from depth and overall cabinet width for available sink bowl opening

Vanity Combo Sink Base 18" Deep
1 Door, 2 Drawers • 34½" High

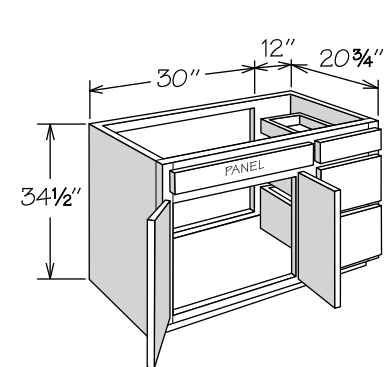


	A	B
VSDB241834H	12"	12"
VSDB271834H	15"	12"
VSDB301834H	18"	12"
VSDB331834H	21"	12"
VSDB361834H	21"	15"

VSDB241834H	APC
VSDB271834H	CFO
VSDB301834H	FE
VSDB331834H	PE
VSDB331834H	RD
VSDB361834H	RTK

- No shelf
- Open area for plumbing access
- Allow for plumbing placement to clear drawers
- Drawers available on right or left side (please specify)
- Cabinet shown is right indicating drawers on the right side of the cabinet
- Subtract 1½" from depth and overall cabinet width for available sink bowl opening

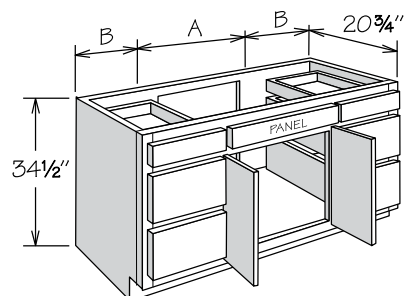
Vanity Combo Sink Base
2 Butt Doors, 3 Drawers • 34½" High



VSDB4234H BUTT	APC
	CFO
	FE
	PE
	RD
	RTK

- No shelf
- Open area for plumbing access
- Allow for plumbing placement to clear drawers
- Drawers available on right or left side (please specify)
- Cabinet shown is right indicating drawers on the right side of the cabinet
- Subtract 1½" from depth and 30" dimension for available sink bowl opening
- Requires off-center sink bowl opening

Vanity Combo Sink Base
2 Butt Doors, 6 Drawers • 34½" High

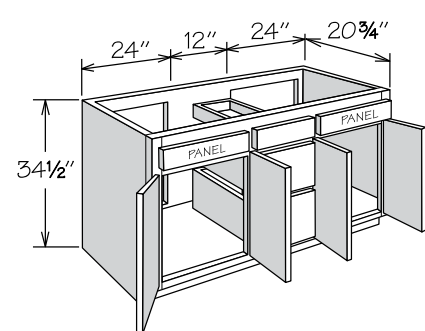


	A	B
VSDB4834HD BUTT	24"	12"
VSDB5434HD BUTT	24"	15"
VSDB6034HD BUTT	30"	15"

VSDB4834HD BUTT	APC
VSDB5434HD BUTT	CFO
VSDB6034HD BUTT	FE
	PE
	RD
	RTK

- No shelf
- Open area for plumbing access
- Subtract 1½" from depth and dimension A for available sink bowl opening

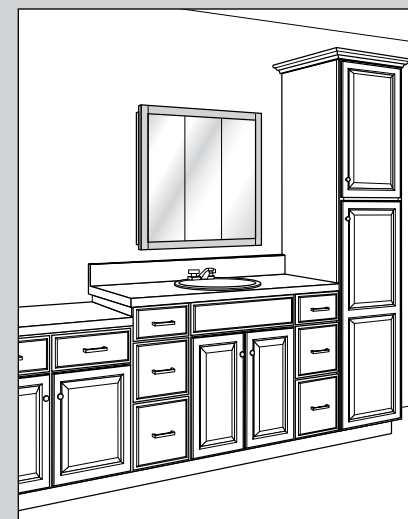
Vanity Combo Sink Base
4 Butt Doors, 3 Drawers • 34½" High



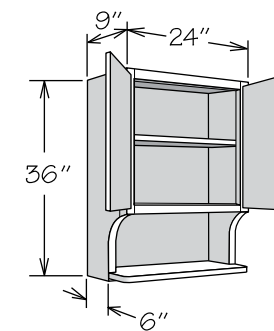
VSDB6034HC BUTT	APC
	CFO
	FE
	PE
	RD
	RTK

- No shelf
- Open areas for plumbing access
- Subtract 1½" from depth and each 24" dimension for available sink bowl openings

Specialty Vanity Cabinets



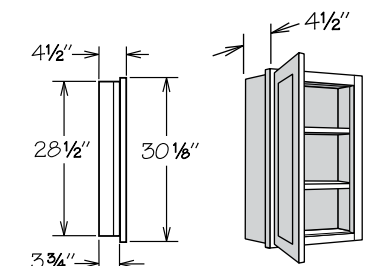
Valet Cabinet
2 Butt Doors



VC2436 BUTT

- Matching Interior standard
- Flush sides with no face frame or ¼" reveals
- Bottom opening: 22½" x 10½"
- Features a fixed shelf
- Sides and bottom shelf feature ¾" engineered wood veneered on both sides
- For Duraform door styles, only the doors will be wrapped, all other finished surfaces will match cabinet box exterior

Medicine Cabinet

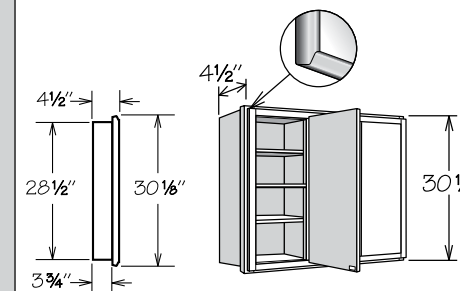


	Overall Width	Overall Height	Cut Out Width Recess Mount	Cut Out Height Recess Mount
MC1530	15"	30 1/8"	14 1/2"	28 1/2"
MCM1530	15"	30 1/8"	14 1/2"	28 1/2"

MC1530
MCM1530

- Two adjustable engineered wood shelves
- Surface or recess mount
- MCM1530 features a mirrored door
- For surface mount installation, trim and apply WEP30 to match finish on exterior sides to cabinet frame – order separately
- Breeze, Pewter and Linen (Duraform and Painted) door styles feature Matching Interior standard

Tri-View Mirror

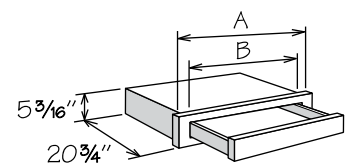


	Overall Width	Overall Height	Cut Out Width Recess Mount	Cut Out Height Recess Mount
TV3030	30"	30 1/8"	28 1/2"	28 1/2"
TV3630	36"	30 1/8"	34 1/2"	28 1/2"

TV3030
TV3630

- All three mirrored doors swing open for easy access to the six adjustable shelves
- Surface or recess mount
- For surface mount installation, trim and apply WEP30 to match finish on exterior sides to cabinet frame – order separately
- Breeze, Pewter and Linen (Duraform and Painted) door styles feature Matching Interior standard
- Chrome hardware

Kneehole Drawer Cabinet



	A	B	Max. Trim
KDC27/21	27"	17 3/4"	21" (3" each side)
KDC33/27	33"	23 3/4"	27" (3" each side)
KDC36/33	36"	29 3/4"	33" (1 1/2" each side)

KDC27/21
KDC33/27
KDC36/33

- Designed for Desk or Vanity application
- Drawer front complements door style
- Field trimmable in height to 4¾"
- Field trimmable in depth to 18" or Reduced Depth Option is available to a minimum of 12"

Vanity Linen Cabinets



Vanity Linen cabinets range in size from 12" to 24" wide, are 84" high and 20 3/4" deep.

Single door cathedral Vanity Linen cabinets must be ordered hinged left or right. Single door square Vanity Linen cabinets are hinged left and can be reversed in the field.

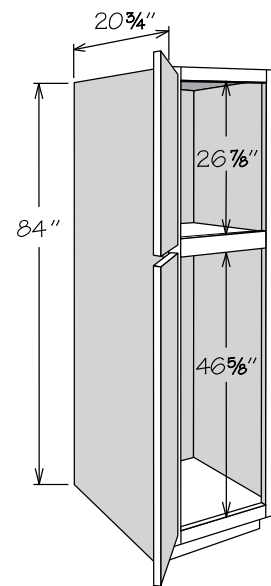
Cathedral and specialty doors will apply to top doors only. Bottom doors will be square.

All Vanity Linen cabinet bottom doors will have a center rail with the exception of all Brookland, Hanover, MacArthur and Duraform door styles.

Inset toe kick construction requires BTK8 matching toe kick - must be ordered separately.

See page 47 for Ceiling Height Requirements information.

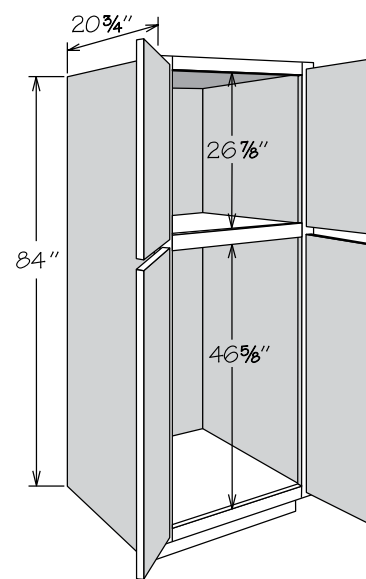
Vanity Linen Cabinet
2 Doors
No Shelves



- VLC122184
 - VLC152184
 - VLC182184
 - VLC122184 SD
 - VLC152184 SD
 - VLC182184 SD
- | |
|-----|
| APC |
| CFO |
| FE |
| MI |
| PE |
| RD |

- Shelving and optional interior accessories may be ordered separately – refer to Vanity Linen Accessories for details
- Cabinet backs are pre-drilled to accept up to four Deep Roll Out Trays in lower section

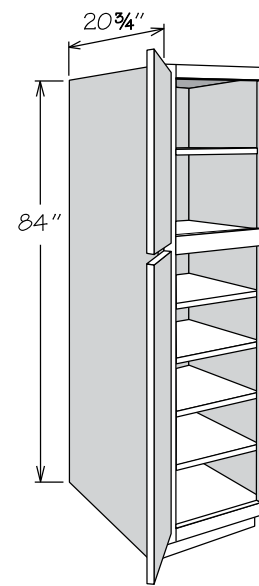
Vanity Linen Cabinet
4 Butt Doors
No Shelves



- VLC242184 BUTT
 - VLC242184 BUTT SD
- | |
|-----|
| APC |
| CFO |
| FE |
| MI |
| PE |
| RD |

- Shelving and optional interior accessories may be ordered separately – refer to Vanity Linen Accessories for details
- Cabinet backs are pre-drilled to accept up to four Deep Roll Out Trays in lower section

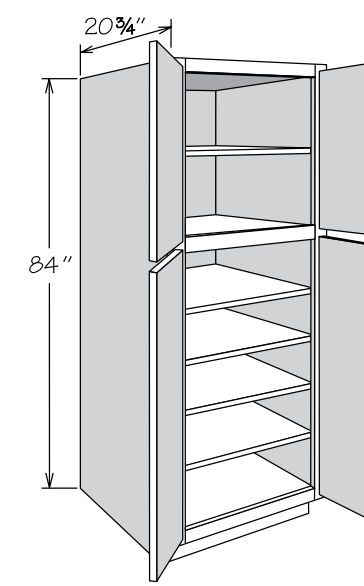
Vanity Linen Cabinet
2 Doors with Adjustable Shelves



- VLC122184 AS
 - VLC152184 AS
 - VLC182184 AS
 - VLC122184 AS SD
 - VLC152184 AS SD
 - VLC182184 AS SD
- | |
|-----|
| APC |
| FE |
| MI |
| PE |
| RD |

- Features one full-depth adjustable shelf in top section and four full-depth shelves in lower section
- Full-depth adjustable shelves are 3/4" engineered wood and edge banded on front edge only
- Adjustable shelves packaged separately for field installation

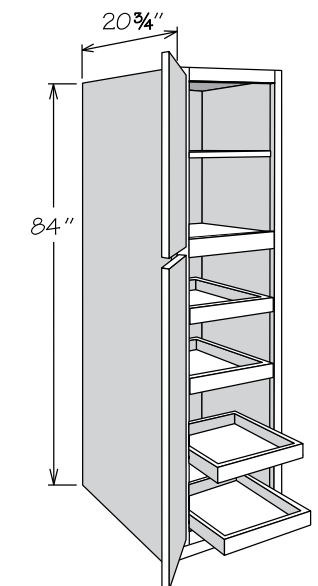
Vanity Linen Cabinet
4 Butt Doors with Adjustable Shelves



- VLC242184 AS BUTT
 - VLC242184 AS BUTT SD
- | |
|-----|
| APC |
| FE |
| MI |
| PE |
| RD |

- Features one full-depth adjustable shelf in top section and four full-depth shelves in lower section
- Full-depth adjustable shelves are 3/4" engineered wood and edge banded on front edge only
- Adjustable shelves packaged separately for field installation

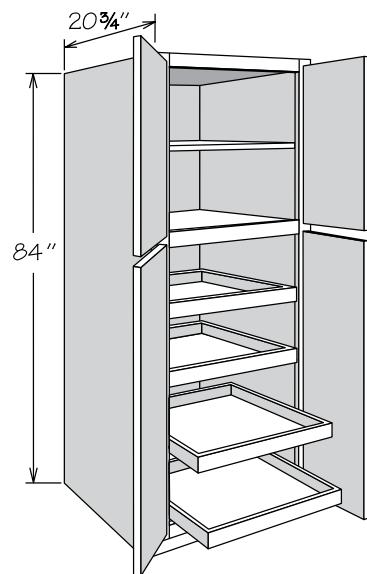
Vanity Linen Cabinet
2 Doors with Deep Roll Out Trays



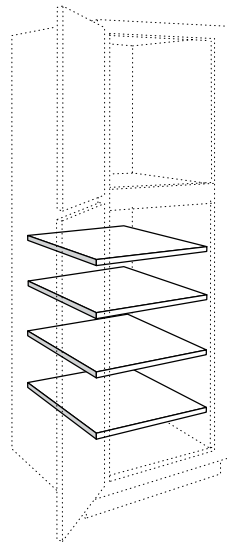
- VLC122184 4ROT
 - VLC152184 4ROT
 - VLC182184 4ROT
 - VLC122184 4ROT SD
 - VLC152184 4ROT SD
 - VLC182184 4ROT SD
- | |
|-----|
| APC |
| FE |
| MI |
| PE |
| RD |

- Features one full-depth adjustable shelf in top section and four Deep Roll Out Trays in lower section
- Full-depth adjustable shelf is 3/4" engineered wood and edge banded on front edge only
- Adjustable shelf and Deep Roll Out Trays packaged separately for field installation

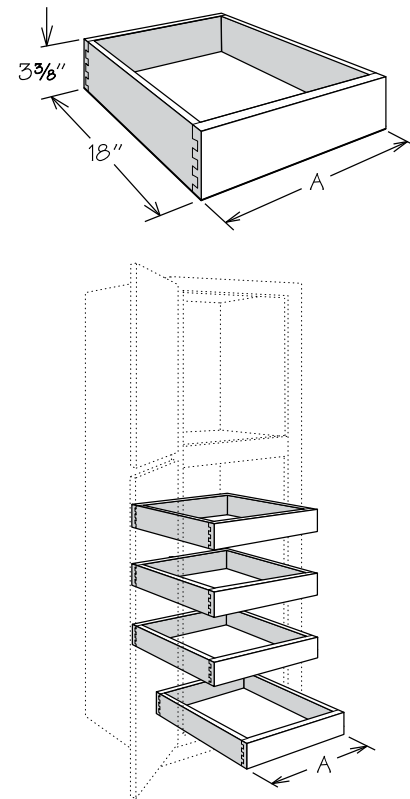
Vanity Linen Cabinet
4 Butt Doors with Deep Roll Out Trays



Vanity Linen Cabinet
Adjustable Shelf or 4 Pack Shelf Kit



Vanity Linen Cabinet
Deep Roll Out Tray Kit or
4 Pack Deep Roll Out Tray Kit



	A
DROT1221	7 3/4"
DROT1521	10 3/4"
DROT1821	13 3/4"
DROT2421	19 3/4"

- VLC242184 4ROT BUTT
- VLC242184 4ROT BUTT SD

APC
FE
MI
PE
RD

- Adjustable Shelf
- S1221
- S1521
- S1821
- S2421
- 4 Pack Shelf Kit
- SK1221
- SK1521
- SK1821
- SK2421

APC
MI
RD

- Deep Roll Out Tray Kit
- DROT1221
- DROT1521
- DROT1821
- DROT2421
- 4 Pack Deep Roll Out Tray Kit
- DROT1221-4K
- DROT1521-4K
- DROT1821-4K
- DROT2421-4K

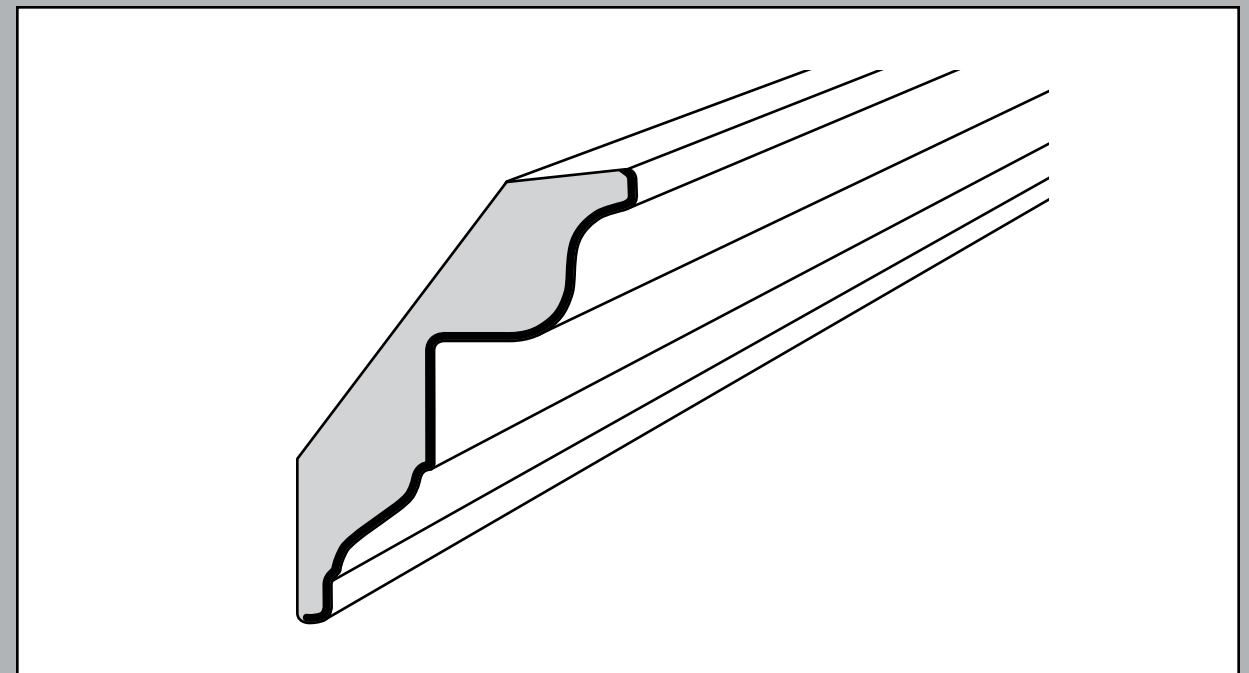
RD

- Features one full-depth adjustable shelf in top section and four Deep Roll Out Trays in lower section
- Full-depth adjustable shelf is 3/4" engineered wood and edge banded on front edge only
- Adjustable shelf and Deep Roll Out Trays packaged separately for field installation

- Field installation accessory
- 3/4" engineered wood
- Edge banded on front edge only
- CLIP LOCK shelf rests included

- Field installation accessory
- Natural Finish dovetail drawer
- Includes Deep Roll Out Tray, all glide hardware and installation instructions

Moldings



All moldings are available in all finishes, unless otherwise noted.

Bold line indicates finished surfaces.

Individual sticks of molding are made from individual pieces of wood and may vary in color.

Molding stacks are ordered as a kit and if returned, must be returned as a kit.

For inspiration and tools to design additional molding build-ups, including build-ups inspired by the Molding Stacks, visit Designer Resources at <http://resources.woodmarkcabinetry.com/>.